

# **arctic**

**COOKER HOOD  
HOTA**

**AH 51 / AH 51 G  
AH 61 / AH 62**

**Instructions Booklet  
Manual de instructiuni**

**Our Dear Customer,**

We wish our product, which has been produced in modern facilities and which has been passed through strict quality control to provide you the best efficiency.

**For this, we kindly request you to read the whole of this guide very carefully before using your product and to keep it as a source of reference.**

**arctic**

# I N D E X



**Section 1 : The points that you need to pay attention before using your aspirator and safety precautions.**



**Section 2 : Technical properties of your aspirator.**



**Section 3 : Installation of your aspirator.**



**Section 4 : The use of your aspirator.**



**Section 5 : The information in relation to the maintenance cleaning and transportation.**



## **SECTION 1 : The points that you need to pay attention before using your aspirator and safety precautions.**

- Please do not plug in your aspirator before completing its installation.
- The operating voltage is 200 240 volts.
- The preparation of the place and the electrical installation of the product is on the customer's account.
- Please do not make connection to those stacks to which the stoves are connected to, to the stacks where waste gas is discharged or to those stacks where flames rise.
- The height between the lower surface of your aspirator and the upper surface of the oven / range should not be less than 65 cm for electrical ranges and should not be less than 75 cm for the gas ranges or for the mixed ranges.
- Do not operate your aspirator without filter. Do not take out the filters while your aspirator is operating.
- Do not touch the bulbs of your aspirator after you operate the lamps for a long period. The hot bulbs may burn your hands.
- Please check your aspirator once a while while frying. Overheated oil may create danger by splashing your aspirator.
- Flaming risk may happen at your aspirator in case periodical cleaning is not made.
- Please do not form high flames under your aspirator. Otherwise fire may burst out by the flaming of the oils on the aluminum filters.
- Do not keep the flame on any of the ranges of the range while the aspirator is operating in case you using a gas range.

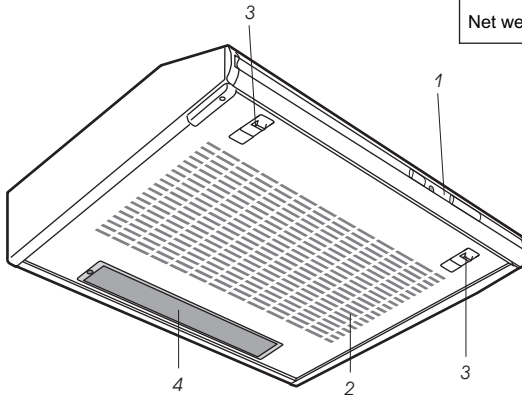
Certainly turn off the range when you remove the food container from the range. We advise you to turn off the range before taking the food container out from the range.

- Please operate your aspirator after you put the pot or fan on the range(s).
- Please operate your aspirator for a while, after the cooling or frying work is finished for the good cleaning of the air in the kitchen from odors and from the vapours that are being formed while the dish is cooked.
- Please provide fresh air to the medium especially while the gas ranges are used simultaneously with the aspirator.
- Please keep the packaging materials away from the reach of children since these may form a hazard.
- The length of the stack connection tube (flue) may be as long as 4 to 5 metres in case no bend or elbow is made during the installation. The use of your aspirator with a carbon filter is advised for internal use in case there is an obligation for the flue to be longer than 5 meters.
- Please make sure that your children do not play with this piece of equipment. Please do not let the small children to use the aspirator.
- Our company will not be responsible due to the problems that originate from not complying with the above warnings.
- This product has been designed for being used in homes.
- Please apply to the closest Artic Authorized Service to you for the installation of your aspirator.

## SECTION 2 : Technical properties of your aspirator.



	AH 51	AH 51 G	AH 61	AH 62
Width	: 498 mm	: 498 mm	: 598 mm	: 598 mm
Depth	: 490 mm	: 490 mm	: 490 mm	: 490 mm
Height	: 150 mm	: 150 mm	: 150 mm	: 150 mm
Feed Voltage	: 220-240V-50Hz	: 220-240V-50Hz	: 220-240V-50Hz	: 220-240V-50Hz
Capacity	: 297 m <sup>3</sup> / hr	: 297 m <sup>3</sup> / hr	: 253 m <sup>3</sup> / hr	: 451 m <sup>3</sup> / hr
Command	: 3 Stage, sliding	: 3 Stage, sliding	: 3 Stage, sliding	: 3 Stage, sliding
Motor power	: 1 x 140 W	: 1 x 140 W	: 1 x 125 W	: 2 x 125 W
Lamp power	: 1 x 40 W	: 1 x 40 W	: 1 x 40 W	: 2 x 40 W
Total power	: 180 W	: 180 W	: 165 W	: 330 W
Air discharge tube diameter	: 120 mm	: 120 mm	: 120 mm	: 120 mm
Net weight	: 6,0 kg	: 6,0 kg	: 6,2 kg	: 8,3 kg



1. Motor Command switch
2. Panel with holes (filter protection panel)
3. Panel with holes hatch
4. Lamp / illumination glass

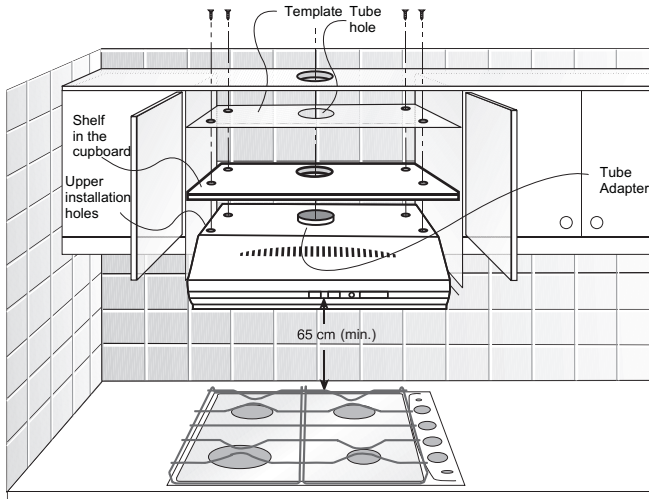
The values shown in the markings on the product or the values given in the printed matter delivered together with the product are the values attained under the laboratory medium in accordance with the related standards. These values may change in accordance with the conditions of usage or in accordance with the conditions of the environment.

**Usage Lifetime : 10 years (the spare parts availability period for the product)**



## SECTION 3 : Installation of your aspirator.

Your aspirator may be installed on your kitchen furniture (Figure 1)



(Figure 1)

- Installation on the cupboard that has been previously drilled :  
Please make connection under the cupboard by making use of the 4 each 4.2 x 45 mm screws (given together with your aspirator) through the previously drilled holes. In such case, there is no need to dismantle the filter protection panel / cassette filter.
- Installation on the cupboard, which has not been drilled:  
Please drill 4 each connection holes by making use of the paper template that is being furnished together with the aspirator and please apply the above instructions.

## Usage Method

Your aspirator may operate to discharge the sucked air to outside medium (by being connected to a stack) and may also operate in compliance with internal recirculation (with carbon filter).

All kitchen aspirators operate in a more efficient manner with being connected to a stack. However, the operation of the aspirator at the internal recirculation position may prove to be more economical during winter for not discharging the heat in the medium to outside.

## Usage With Stack Connection

Please open the filter protection cover of the aspirator.

Put the selective switch on the DUCTING position (Figure 2).

There are connections on and at the rear side of your aspirator for discharging air to outside in order to be able to make connection to the stack (Figure 3).

Please install the 120 mm diameter tube connection part, which is being furnished together with your aspirator in such a manner just to be fit on its place for the hatches of the tube connector. Please do not interfere anyway with the blind cap, which is present at the rear outlet under such condition.

Please dismantle the blind cap from the where it is put and please install it to the top, in case you want to make a connection from the rear. Please fit the tube connection part on the place of the blind cap. Please never connect the stack connection of the aspirator while you perform the necessary procedures to a stack, which is being used for other purposes.

## Usage Without Stack Connection (With Carbon Filter)

Please take the aluminum filters out.

Please put the selective switch on the RECYCLING position (Figure 2). Under such condition the fitting of the carbon filter to the aspirator is needed. Please fit the carbon filter after you get in on the fixing cap (Figure 4).

Please put the aluminum filters on again.

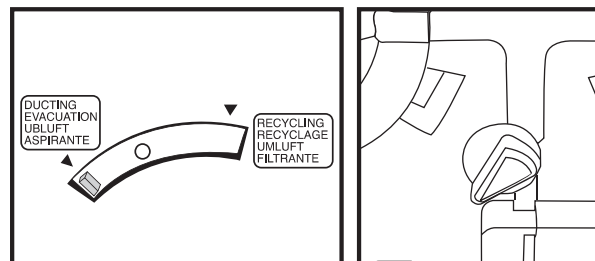


Figure 2

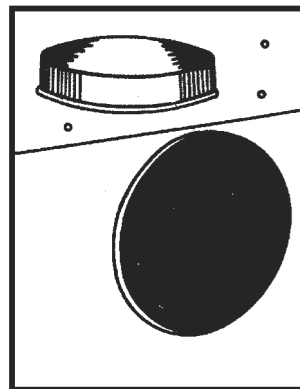


Figure 3

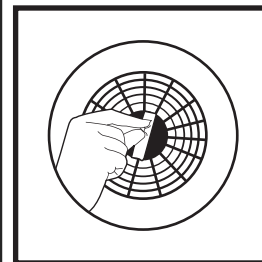


Figure 4

### **Synthetic Filter (AH 61 / AH 62)**

The synthetic filter of your over-the-range aspirator has the property of holding (capturing) oil. Please check your filter with intervals of 1 month long and discard your filter when you see that it is dirty and put on a new one.

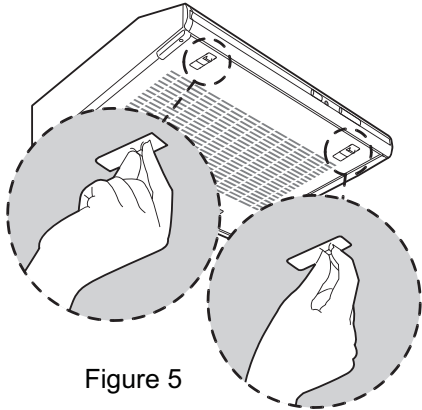


Figure 5

1. To Change Filter : Please push the two each Ratches in the front part of the panel with holes towards internal side (Figure 5).
2. Take the panel with holes out of its place by releasing the holders from their places.
3. Put the panel with holes that you take out on a level place and remove the two each filter holders.

Take the dirty filter out and fit the new one in its place and fix the filter by the filter holders and then put the panel with holes in its place (Figure 6)

**Attention : Do not wash your synthetic filter in the dishwasher or to not wash it manually. This filter must be discarded as they get dirty and new ones must be put in.**

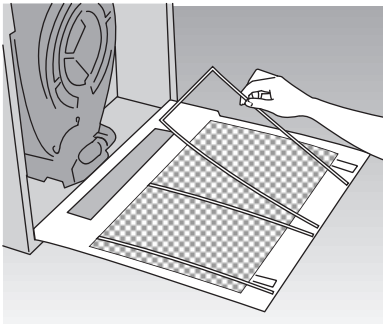


Figure 6

### **Oil Holding (arresting) filter (AH 51 / AH 51 G)**

Your over-the-range aspirator has the property of holding oil, thanks to the special filter. The reason for manufacturing the filter out of aluminum material is that it is cleanable. Please check your filter with intervals of that month long and wash it in water with detergent, rinse and dry it. Then fit it again in its place.

1. To Change Filter : Please push the two each Ratches in the front part of the panel with holes towards internal side (Figure 5).
  2. Take the panel with holes out of its place by releasing the holders from their places.
  3. Put the panel with holes that you take out on a level place and remove the two each filter holders.
- Please fit the filter again its place after you take it out and you wash it and fix the filter by the filter holders and then put the panel with holes in its place (Figure 6).

**Attention : please do not wash your filter in dishwasher.**



## SECTION 4 : The use of your aspirator.



Your aspirator is commanded through a control panel, which is placed on the front panel with sliding controls (switches).

Your aspirator has 3 speed stages :

1st position: Light aspiration

2nd position: Medium aspiration

3rd position: Heavy aspiration

0 position: Motor does not operate, no aspiration occurs.

**Note:** The motor must be in open position for using the motor positions of AH 62 model.

### Functions on the switch keys (AH 51 / AH 51 G / AH 61)



Lamp Closed  
Motor closed



Lamp Open  
Motor in 1st position



Lamp Open  
Motor in 2nd position



Lamp Open  
Motor in 3rd position

### Functions on the switch keys (AH 62)



Lamp Closed  
Motor Closed  
Motor in 1st position



Lamp Open  
Motor Open  
Motor in 1st position



Lamp Open  
Motor Open  
Motor in 2nd position



Lamp Open  
Motor Open  
Motor in 3rd position

### Illumination Lamp:

You may open and close the illumination lamp independent of the motor through the lamp switch on the control panel.



## SECTION 5: The information in relation to the maintenance cleaning and transportation.

### Maintenance and Cleaning Changing of Illumination lamp

1. Uplung the plug from the receptacle before starting the cleaning. Please pay attention that the cleaning material, which you are going to use does not contain particles that would scratch the surfaces with paint or made out of stainless steel. Use cream or liquid cleaners.

2. Please try to clean your aspirator especially just after dishes by frying.

3. Please wipe clean your aspirator by a wet cloth wetted in warm water or in water with detergent. You may use the cleaners that you obtain from the market for oil, etc. that does not wipe out by paying attention to the warnings on these. However, please do not use scratching and abrasive cleaning materials.

There is 1 each 40 W lamp in your AH 51 / AH 51 G and AH 61 model aspirator and there are 2 each 40 W lamps in your AH 62 model aspirators. You may comfortably take out and change the lamps by opening the panel with holes in the AH 51 / AH 51 G / AH 61 and AH 62 models.

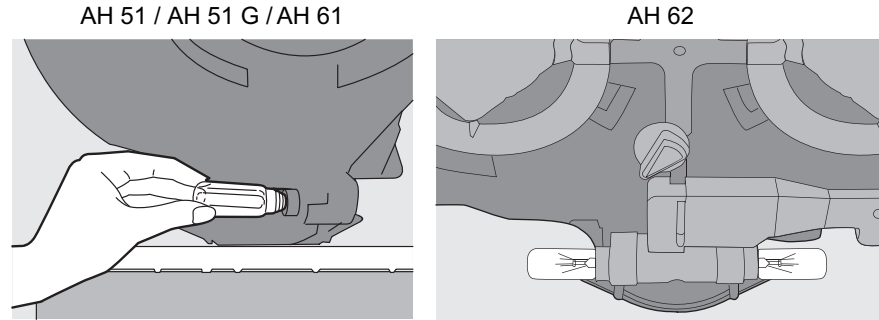


Figure 8

### In Case You Need Transportation :

1. Please carry the aspirator in its original package and please obey the transportation instructions on the box.
2. Please tape the guard (screen) glass to the panel with hole to avoid its movement during transportation, in case you do not have the original packing.
3. Please take measures against impacts that may come on the glass or on the other painted surfaces.
4. Please keep the product in its normal position during the transportation.

**Stimate client,**

Ne dorim ca produsul nostru, care a fost realizat in facilitati moderne de productie si a trecut prin cele mai riguroase teste de calitate, sa va convinga de eficienta lui.

**Pentru aceasta, va rugam sa cititi cu atentie tot manualul de utilizare inainte de a folosi produsul si sa-l considerati ca o sursa de referinta.**

**arctic**



**Sectiunea 1: Masuri de  
siguranta inainte de  
a folosi hota**



**Sectiunea 2: Proprietatile  
tehnice ale hotei.**



**Sectiunea 3: Instalarea  
hotei.**



**Sectiunea 4: Folosirea  
hotei.**



**Sectiunea 5: Informatii privind  
intretinerea, curatarea si  
transportul.**

## Secțiunea 1: Măsuri de siguranță înainte de a folosi hota

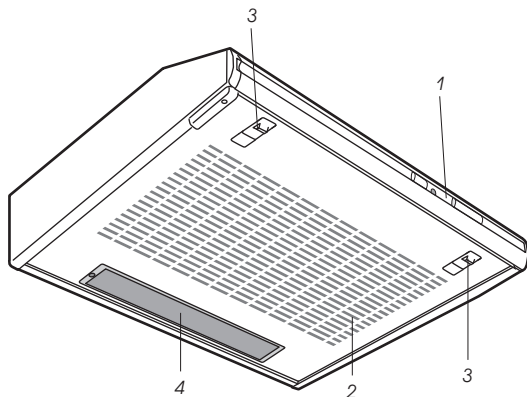


- Va rugăm să nu bagați hota în priză înainte de a fi complet instalat.
- Voltajul la care se va folosi este de 200-240 V.
- Pregătirea locului și conectarea la rețeaua electrică este responsabilitatea clientului.
- Va rugăm să nu conectați hota la cosul de evacuare la care este legată soba sau la cosul prin care este eliminat gazul care se pierde sau la cosul în care apar flăcări.
- Înălțimea între partea de jos a hotei și plita aragazului trebuie să fie de minim 65 cm pentru modelele electrice și să fie de minim 75 cm pentru modelele pe gaz și pentru modelele mixte.
- Nu folosiți hota fără filtru. Nu scoateți filtrele în timpul funcționării hotei.
- Nu atingeți lampile hotei după ce au fost folosite pentru o perioadă lungă de timp. Lampile fierbinti va pot cauza arsuri la mâini.
- Va rugăm să verificați hota cel puțin o dată în timp ce prăjiți. Uleiul foarte incins poate fi periculos dacă stropeste hota.
- Riscul de incingere a hotei poate apărea dacă aceasta nu este curățată periodic.
- Va rugăm să nu permiteți formarea unor flăcări înalte sub hota. Altfel focul poate izbucni dacă uleiul incins ajunge pe filtrele de aluminiu.
- Va rugăm să nu mențineți focul aragazului la nici un model din gama în timp ce hota funcționează dacă folosiți un model pe gaz. Închideți aragazul când scoateți recipientul cu mâncare din cuptor. Va sfătuim să închideți aragazul înainte de a scoate recipientul cu mâncare din aragaz.
- Va rugăm să folosiți hota după ce ați așezat oala sau pe aragaz.
- Va rugăm să mențineți hota în funcțiune pentru un timp după ce ați terminat de gătit pentru o bună aerisire a mirosurilor din bucatărie și pentru eliminarea vaporilor care se formează în timpul gătitului.
- Va rugăm să lăsați aerul proaspăt să patrundă în încăpere mai ales în timpul folosirii simultane a aragazului și a hotei.
- Va rugăm să nu lăsați la îndemână copiilor materialele de împachetat pentru că pot constitui un risc.
- Lungimea tubului de conectare la cos poate fi de la 4 la 5 metri în cazul în care nu se face nici un cot sau ramificație în timpul instalării. Este recomandată folosirea hotei cu filtru de carbon pentru uzul intern în cazul în care există obligația ca tubul de conectare la cos să fie mai lung de 5 metri.
- Asigurați-vă că această piesă din echipament nu este obiectul de joacă al copiilor. Nu lăsați copiii mici să folosească hota.
- Compania noastră nu este responsabilă cu problemele generate de nerespectarea recomandărilor de mai sus.
- Acest produs este destinat folosirii în gospodării.
- Va rugăm să apălați la cel mai apropiat service autorizat ARCTIC pentru instalarea hotei.



## SECTIUNEA 2: Proprietatile tehnice ale hotei.

	AH 51	AH 51 G	AH 61	AH 62
Latime	: 498 mm	: 498 mm	: 598 mm	: 598 mm
Adancime	: 490 mm	: 490 mm	: 490 mm	: 490 mm
Inaltime	: 150 mm	: 150 mm	: 150 mm	: 150 mm
Tensiunea de alimentare	: 220-240V-50Hz	: 220-240V-50Hz	: 220-240V-50Hz	: 220-240V-50Hz
Capacitate	: 297 m <sup>3</sup> / hr	: 297 m <sup>3</sup> / hr	: 253 m <sup>3</sup> / hr	: 451 m <sup>3</sup> / hr
Comanda	: buton (3 pozitii)	: buton (3 pozitii)	: buton (3 pozitii)	: buton (3 pozitii)
Puterea motorului	: 1 x 140 W	: 1 x 140 W	: 1 x 125 W	: 2 x 125 W
Puterea lampii	: 1 x 40 W	: 1 x 40 W	: 1 x 40 W	: 2 x 40 W
Puterea totala	: 180 W	: 180 W	: 165 W	: 330 W
Diametru tub de eliminare aer	: 120 mm	: 120 mm	: 120 mm	: 120 mm
Greutatea neta	: 6,0 kg	: 6,0 kg	: 6,2 kg	: 8,3 kg

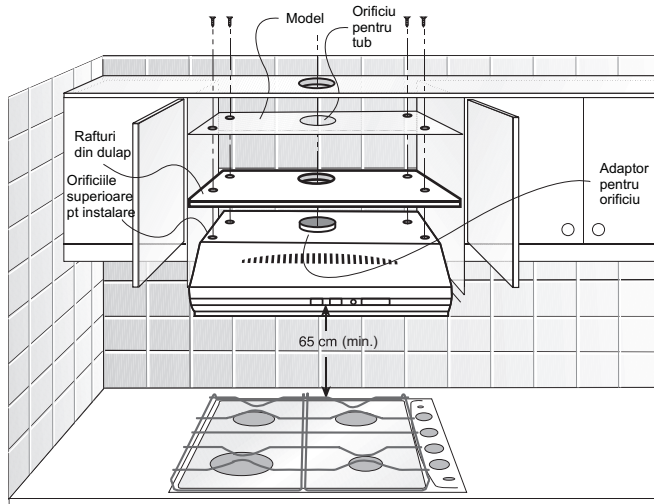


1. Buton de comanda a motorului
2. Panou cu butoane (panou protectie filtre)
3. Panou cu orificii pentru conectare la cos
4. Lampi

## SECTIUNEA 3: Instalarea hotei.



Hota poate fi instalata pe mobila din bucatarie (vezi figura 1).



(Figura 1)

- Gaurile din dulap au fost facute dinainte: va rugam sa prindeti hota sub dulap folosind 4 suruburi de 4.2 x 45 mm (care se livreaza impreuna cu hota) prin gaurile facute dinainte. In acest caz, nu este nevoie sa demontati panoul de protectie a filtrelor sau caseta filtrelor.
- Gaurile din dulap nu au fost facute dinainte: dati 4 gauri in dulap folosind modelul de hartie care este livrat impreuna cu hota si apoi aplicati instructiunile de mai sus.

## Metoda de folosire

Hota dvs. poate functiona prin eliminarea aerului aspirat catre mediul exterior (prin conectarea la un cos) si, de asemenea, poate functiona prin recircularea interna (folosind un filtru de carbon). Toate hotele de bucatarie functioneaza mai eficient daca sunt conectate la un cos. Dar, folosirea hotei in modul de recirculare interna a aerului se poate dovedi mai economica in timpul iernii pentru ca nu elimina caldura mediului in exterior.

### Folosirea hotei conectata la cos

Va rugam sa deschideti panoul de protectie a filtrelor hotei.

Puneti butonul de selectie pe pozitia 1 (Figura 2) (pozitia de evacuare prin cos).

Pe hota si in spatele ei sunt orificiile care se conecteaza la cosul pentru eliminarea aerului catre exterior (Figura 3).

### Folosirea hotei fara conectare la cos (cu filtru de carbon)

Scoateti filtrele de aluminiu.

Asezati butonul de selectie in pozitia RECICLARE (Figura 2). In aceste conditii, este nevoie de garnitura filtrului de carbon al hotei. Potriviti filtrul de carbon dupa ce l-ati asezat in soclul de fixare. (Figura 4).

Puneti la loc filtrele de aluminiu.

**Nota:** Puteti obtine contra cost filtre de carbon de la Service-urile autorizate.

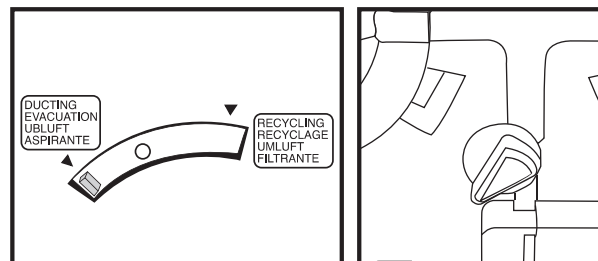


Figura 2

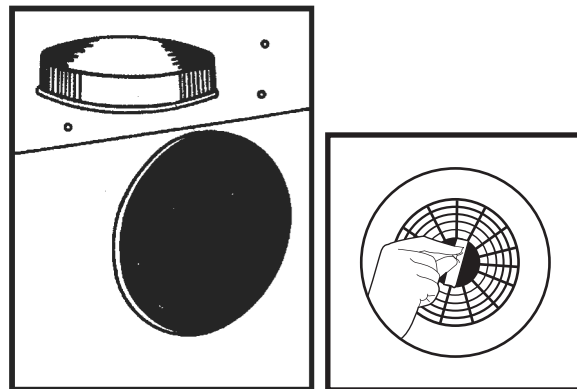


Figura 3

Figura 4



### Filtru sintetic (AH 61 / AH 62)

Filtrul sintetic al hotei dvs. are proprietatea de a retine particulele de ulei din aer. Va rugam sa verificati filtrul la un interval de o luna si daca observati ca este murdar inlocuiti-l cu unul nou. Puteti obtine contra cost un filtru nou sintetic de la un centru service autorizat.

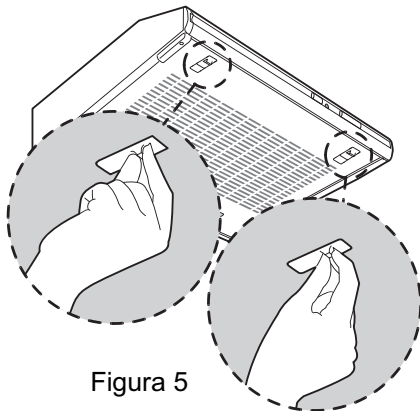


Figura 5

1. Pentru a schimba filtrul: va rugam sa apasati spre interior cele doua butoane culisante aflate in partea din fata a panoului cu orificii.
  2. Scoateti panoul cu orificii din locul sau prin scoaterea clamelor de la locul lor.
  3. Asezati panoul cu orificii pe o suprafata plana si scoateti cele doua clame ale filtrului.
- Scoateti filtrul murdar si inlocuiti-l cu unul nou, apoi fixati filtrul cu cele doua clame si apoi asezati panoul cu orificii inapoi la locul sau.

(Figura 6)

**Atentie: Nu spalati filtrul in masina de spalat vase si nu-l spalati manual. Cand filtrul se murdareste trebuie inlocuit cu unul nou.**

### Filtrul care retine uleiul (AH 51 / AH 51 G)

Hota dvs. are proprietatea de a retine particulele de ulei datorita filtrului special. Motivul pentru care filtrul este fabricat din aluminiu este acela ca poate fi curatat. Va rugam sa verificati filtrul la interval de o luna, spalati-l in apa cu detergent, clatiti-l si uscati-l. Apoi asezati-l la locul lui.

1. Pentru a schimba filtrul: va rugam sa apasati spre interior cele doua butoane culisante aflate in partea din fata a panoului cu orificii.
2. Scoateti panoul cu orificii din locul sau prin scoaterea clamelor de la locul lor.
3. Asezati panoul cu orificii pe o suprafata plana si scoateti cele doua clame ale filtrului.

Scoateti filtrul murdar si inlocuiti-l cu unul nou, apoi fixati filtrul cu cele doua clame si apoi asezati panoul cu orificii inapoi la locul sau. (Figura 6)

**Atentie: Nu spalati filtrul in masina de spalat vase.**

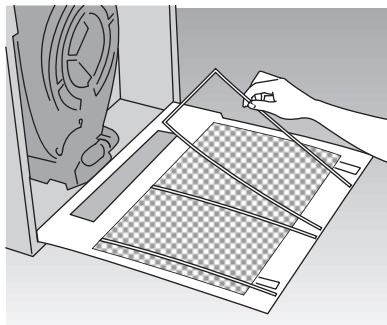


Figura 6



## SECTIUNEA 4: Folosirea hotei

Hota dvs. este actionata printr-un panou de control care este plasat frontal si are butoane de control. Hota dvs. are 3 trepte de viteza:

Pozitia 1: Aspirare usoara

Pozitia 2: Aspirare medie

Pozitia 3: Aspirare puternica

Pozitia 0: Motorul nu functioneaza, nu are loc procesul de aspirare

**Nota:** Motorul trebuie sa fie in pozitia deschis pentru a folosi optiunile modelelor AH 62.

(AH 51 / AH 51 G / AH 61)



Lampa stinsa

Motorul inchis



Lampa aprinsa

Motorul in pozitia 1



Lampa aprinsa

Motorul in pozitia 2



Lampa aprinsa

Motorul in pozitia 3

(AH 62)



Lampa stinsa

Motorul inchis

Motorul in pozitia 1



Lampa aprinsa

Motorul pornit

Motorul in pozitia 1



Lampa aprinsa

Motorul pornit

Motorul in pozitia 2



Lampa aprinsa

Motorul pornit

Motorul in pozitia 3

### Lampa de iluminare

Puteti aprinde si stinge lampa independent de functionarea motorului folosind butonul pentru lampa de pe panoul de control.

## SECTIUNEA 5: Informatii privind intretinerea, curatarea si transportul



### Intretinerea si curatarea

1. Scoateti hota din priza inainte de a incepe curatarea ei. Fiti atent ca materialul de curatare pe care intentionati sa-l folositi nu contine particule care ar zgaria suprafetele cu vopsea sau este facut din otel inoxidabil. Folositi solutii lichide sau gel.

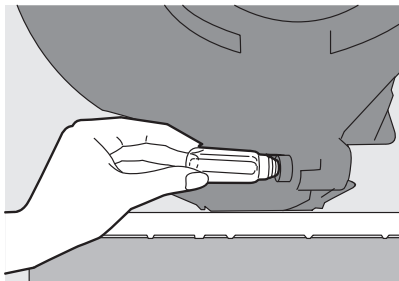
2. Incercati sa curatati hota mai ales dupa ce prajiti.

3. Curatati hota prin stergerea ei cu un material umezit in apa calda sau in apa cu detergent. Puteti folosi solutiile de curatare pe care le achizitionati din magazin dar cititi cu atentie instructiunile de folosire si mai ales recomandarile. Nu folositi pentru curatare materiale abrazive sau care zgaria.

### Schimbarea lampii

Modelul AH 51 / AH 51 G / AH 61 foloseste o lampa de 40W in timp ce modelele AH 62 folosesc 2 lampi de 40W. Puteti schimba usor lampile prin demontarea filtrelor de aluminiu la modelele AH 51 / AH 51 G / AH 61 si AH 62.

AH 51 / AH 51 G / AH 61



AH 62

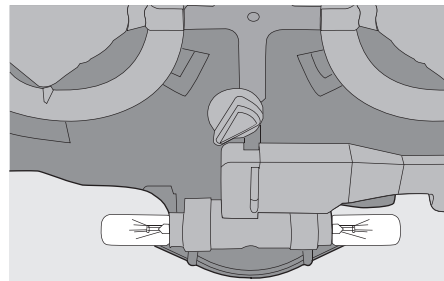


Figura 8

### In caz de transport

1. Va rugam sa transportati hota in ambalajul original si respectati instructiunile de transport de pe cutie.
2. Protejati panoul de sticla in timpul transportarii pentru a evita dislocarea acestuia, in cazul in care nu mai aveti ambalajul original.
3. Luati masuri de siguranta pentru a evita impactul asupra panoului de sticla sau asupra suprafetelor vopsite.
4. Va rugam sa mentineti hota in pozitia ei normala in timpul transportului.

