

HID-Basic BHL for HPL/HPI

BHL 250 K202 230V 50Hz BC2-126

Balasturi electromagnetice impregnate, realizate din cupru-fier pentru sursele HPL și HPI (Plus)

Catalog de date

• caracteristici generale

Rated Number of Lamps	1 piece
Rated Ballast-Lamp Power	250
Rated Lamptype	HPL/HPI
Application code	K202
Line Voltage	230 V
Line Frequency	50 Hz
Design	BC2-126

• caracteristici de operare

Input current with PF-correct.	0.85 A
Mains voltage safety (AC)	-10%/+10%
Mains voltage performance (AC)	-8%/+6%
PowerFactor 100% output power	0.55 -
PowerFactor w/o PF compens.	0.85 -

• caracteristici cablaj

Connector type	Screw
Wcs Ballast contacts	2.5 mm2

• caracteristici de temperatura

T-storage	-30 (min), 130 (max) C
T-winding maximum (tw)	130 (max) C
Delta-T normal conditions	85 C

• dimensiuni produs

Length A1	126.0 mm
Fixing Hole Distance	104.0 mm
Length A2	
Width B1	76.0 mm
Height C1	65.0 mm
Fixing Hole Diameter D1	6.2 mm

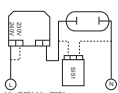
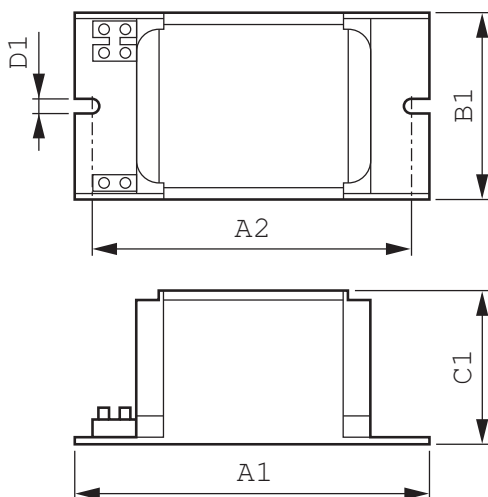
• Caract. aprobare & aplicare

CE marking	Yes
ENEC certificate	Yes

• Informatii produs

Cod comanda	940640 00
Cod produs	872790094064000
Denumire produs	BHL 250 K202 230V 50Hz BC2-126
Produs - Denumire comanda	BHL 250 K202 230V 50Hz BC2-126
Bucati per pachet	1
Configuratie Impachetare	6
Pachete per box	6
Cod de bare per produs (EAN1)	8727900940640
Cod de bare per box (EAN3)	8727900940657
Cod logistic - 12NC	913700283226
Masa neta per bucata	2.020 kg

Cote



Product	A1 (Norm)	A2 (Norm)	B1 (Norm)	C1 (Norm)	D1 (Norm)
BHL 250 K202 230V 50Hz	126.0	104.0	76.0	65.0	6.2
BC2-126					



© 2011 Koninklijke Philips Electronics N.V.
Toate drepturile rezervate.

Specificațiile pot fi schimbate fără notificare. Informațiile constituie proprietatea Koninklijke Philips Electronics N.V.

www.philips.com/lighting

2011, Decembrie 21
Informație ce poate fi modificată