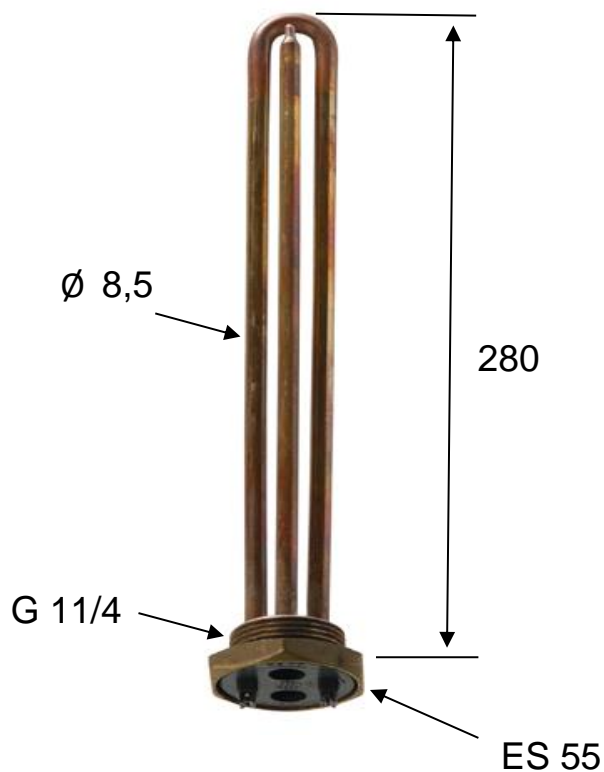


ART. COD. 1111W2000



RESISTENZA DIRITTA
STRAIGHT HEATING ELEMENT

POTENZA / POWER 2000 W
VOLT 220

MATERIALI / MATERIALS

OTTONE / BRASS - RAME / COPPER