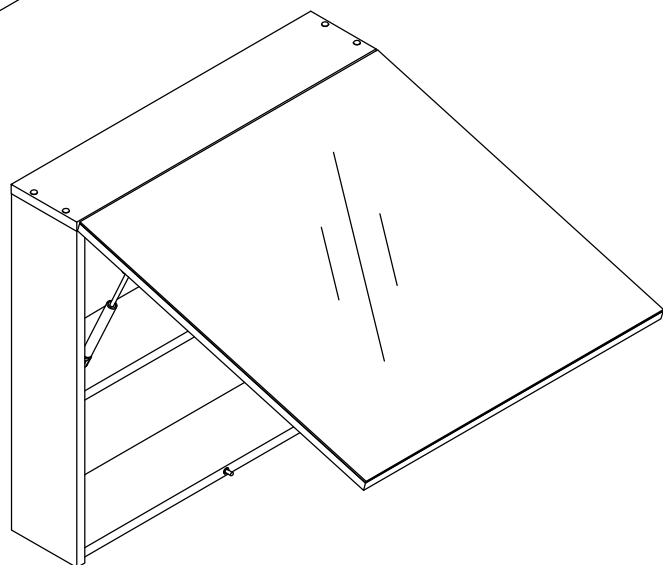
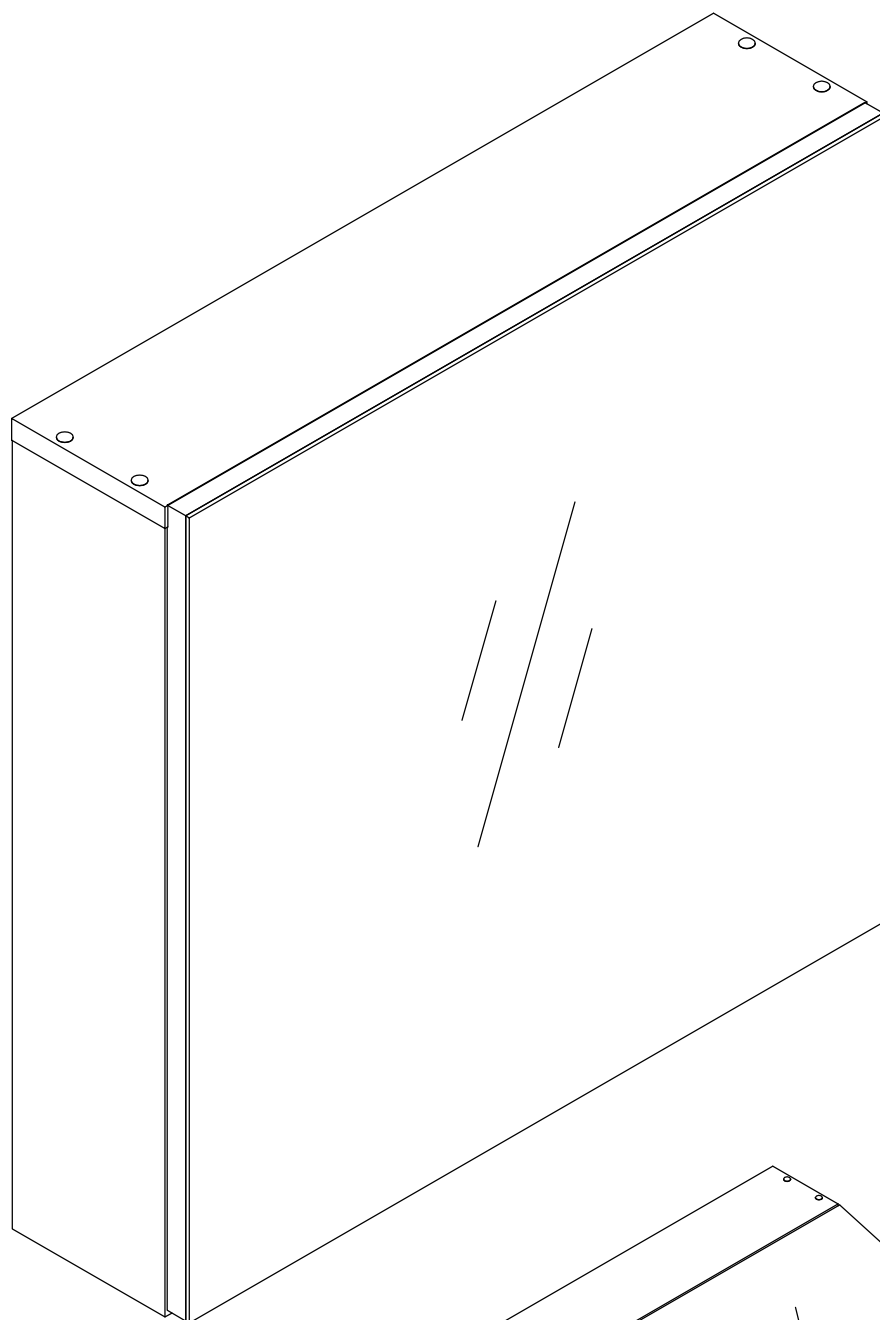
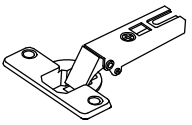
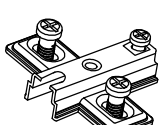
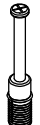



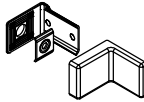


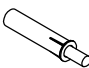

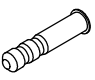

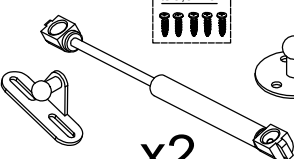
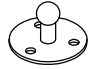
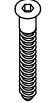

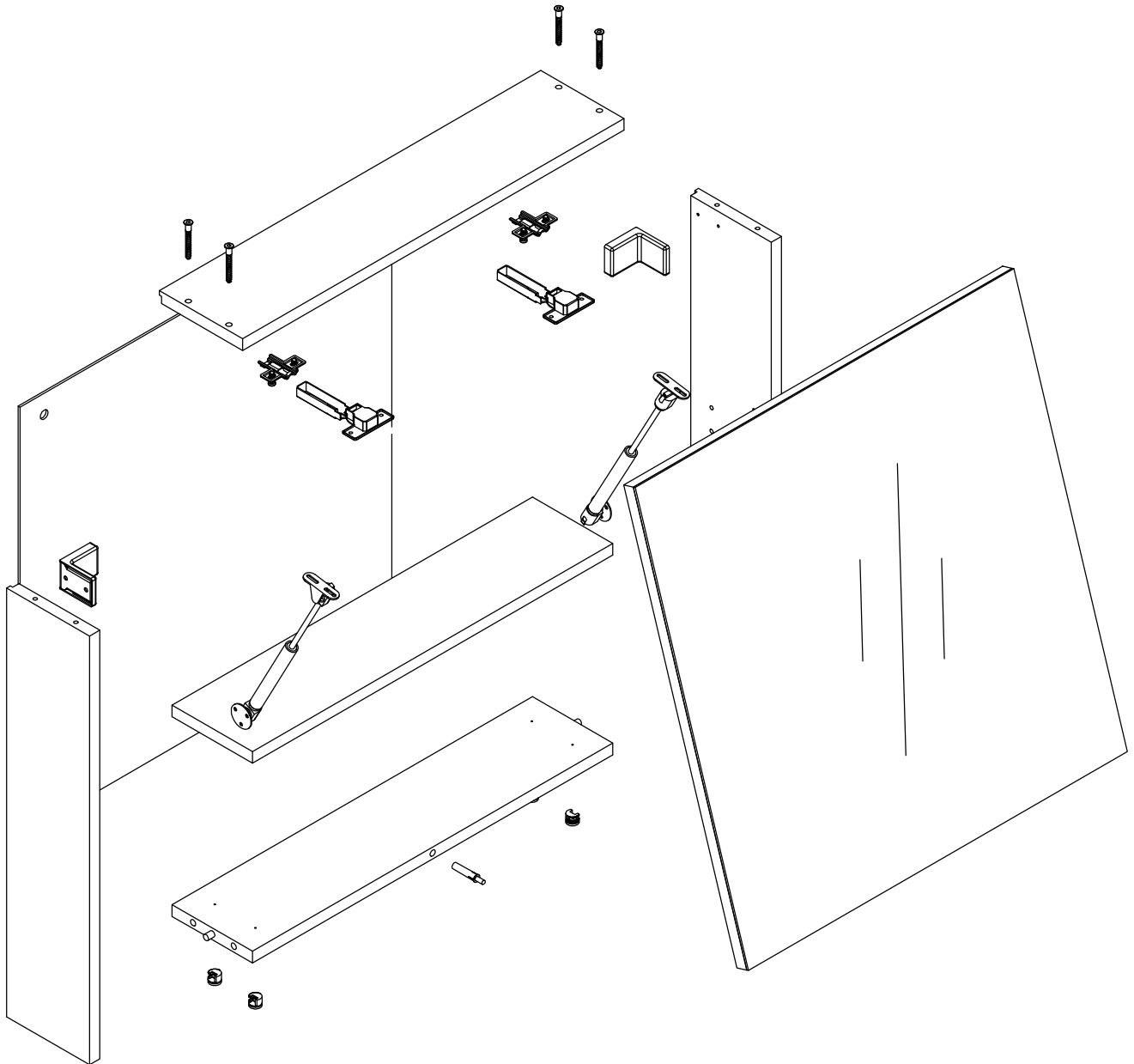


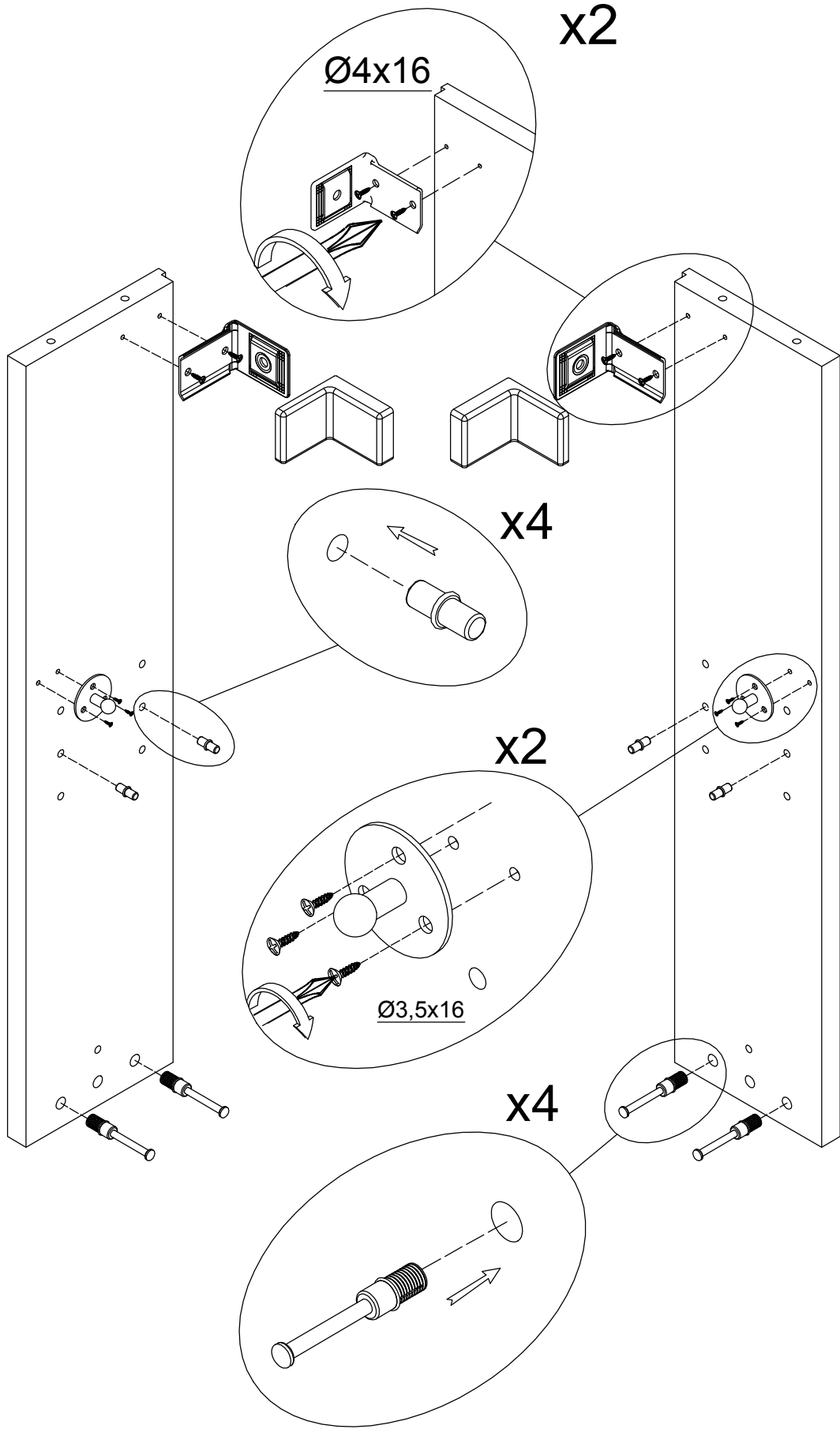
cersanit
COLOUR/EASY



 x2	 x2	 x4	 Ø15 x4	 Ø4x16 x8	 x20	 x2	 Ø14 x14	 Ø20 x4	 x1
 Ø4,2x50 x4	 x4	 x4	 Ø3,5x16 x2			 x1	 Ø6,3x50 x4	 x2	

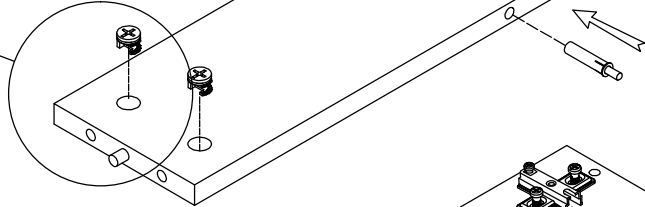
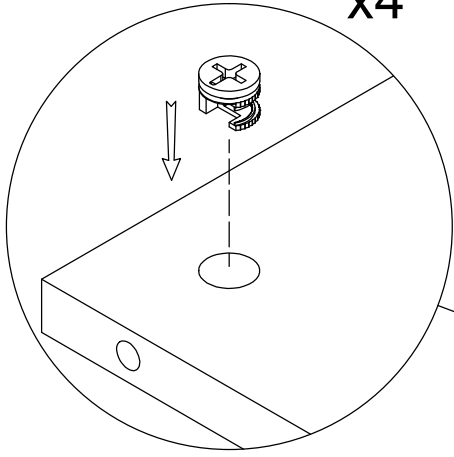


1

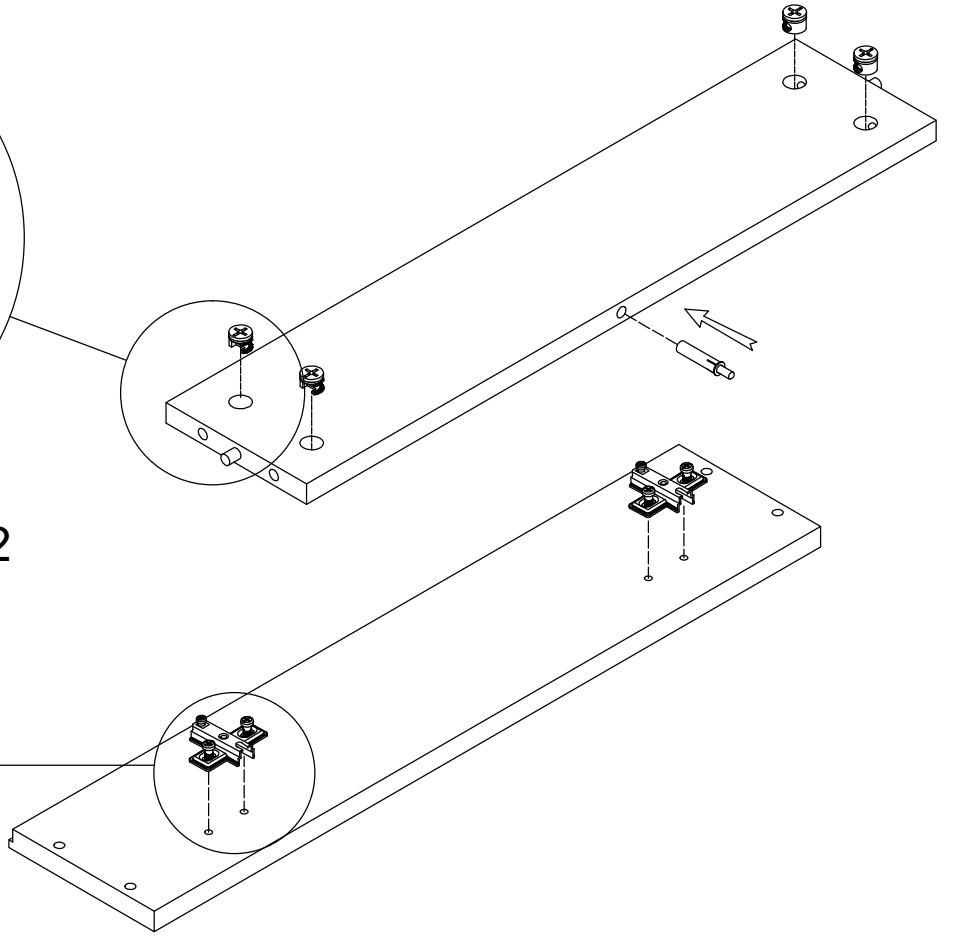
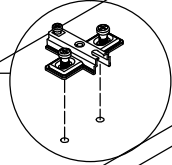
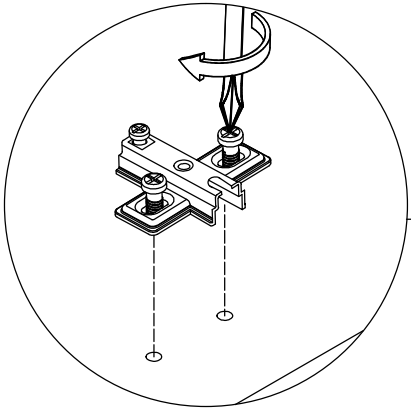


2

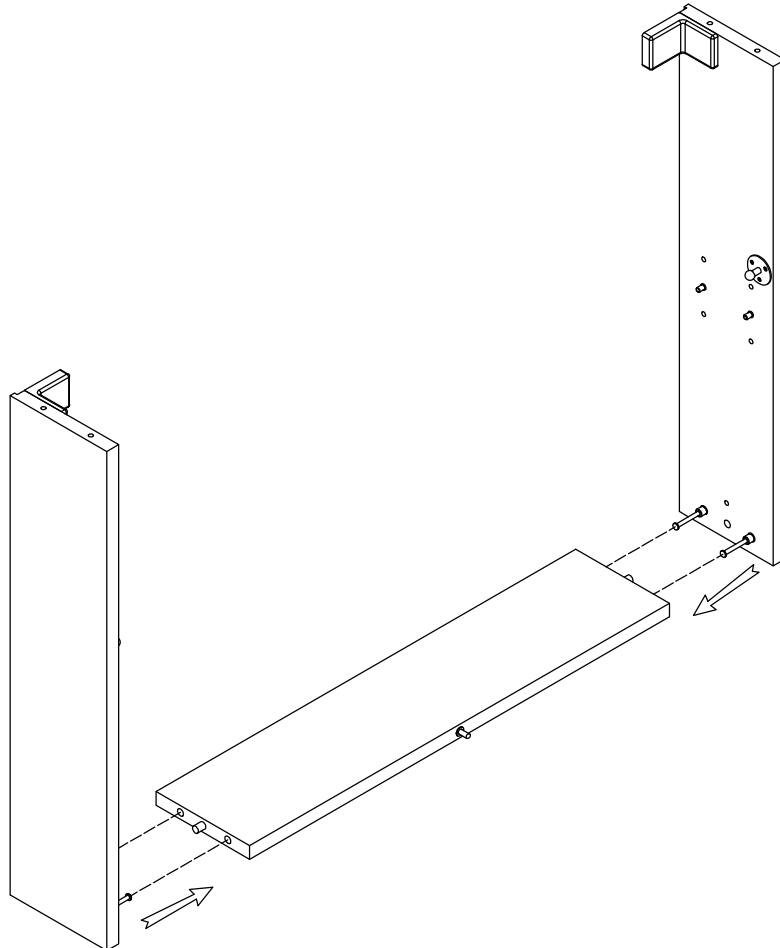
x4



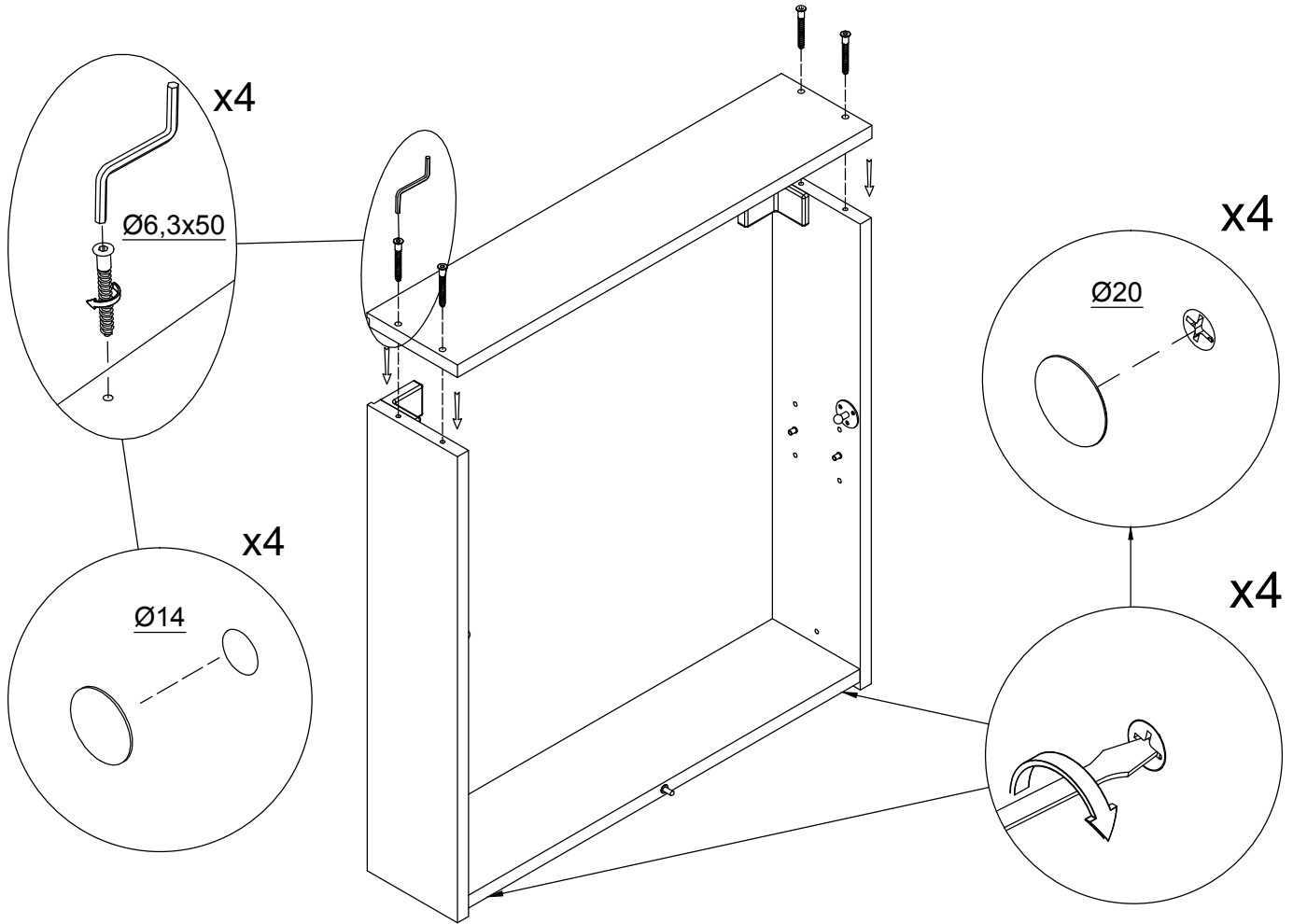
x2



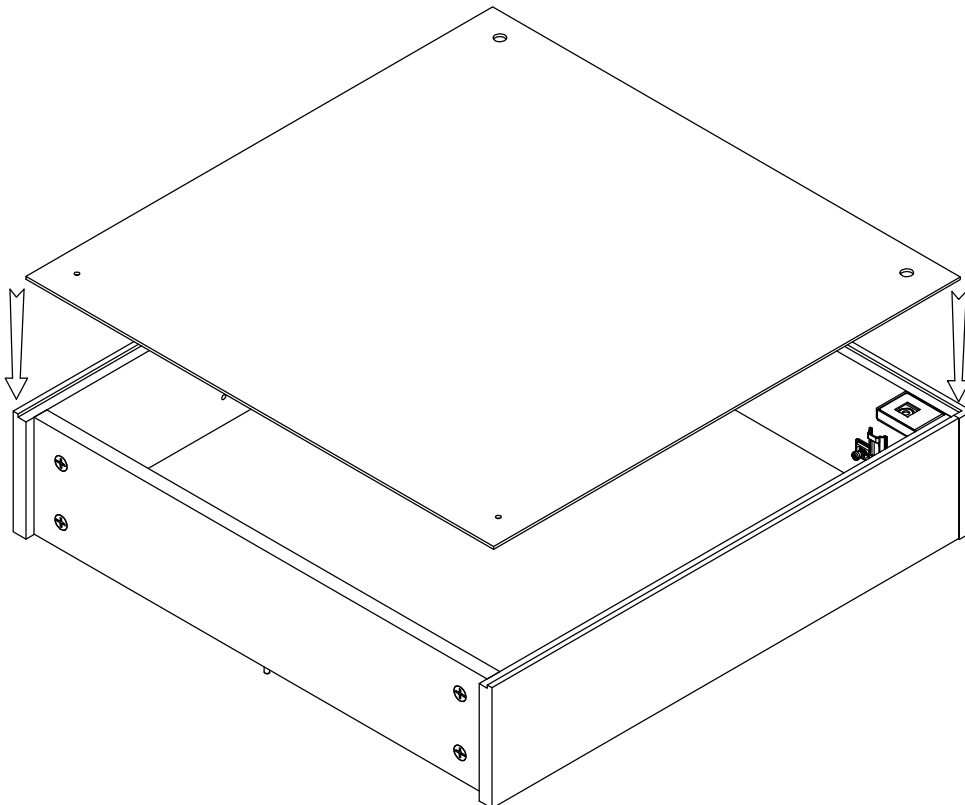
3



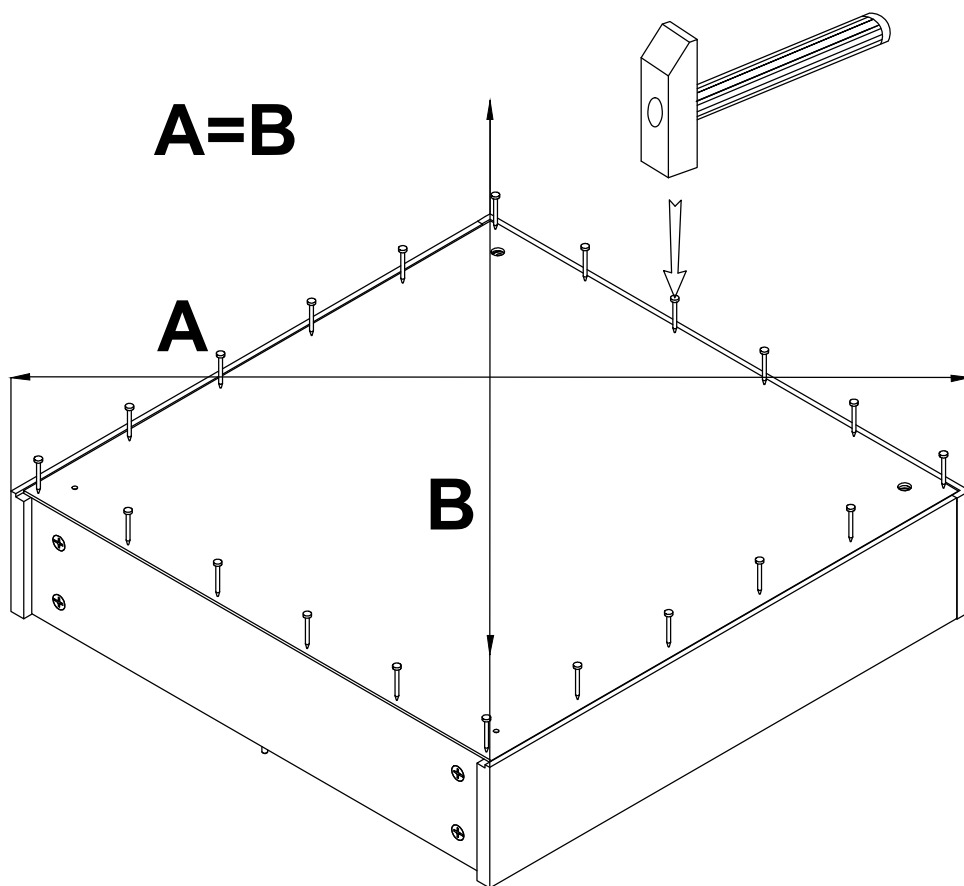
4



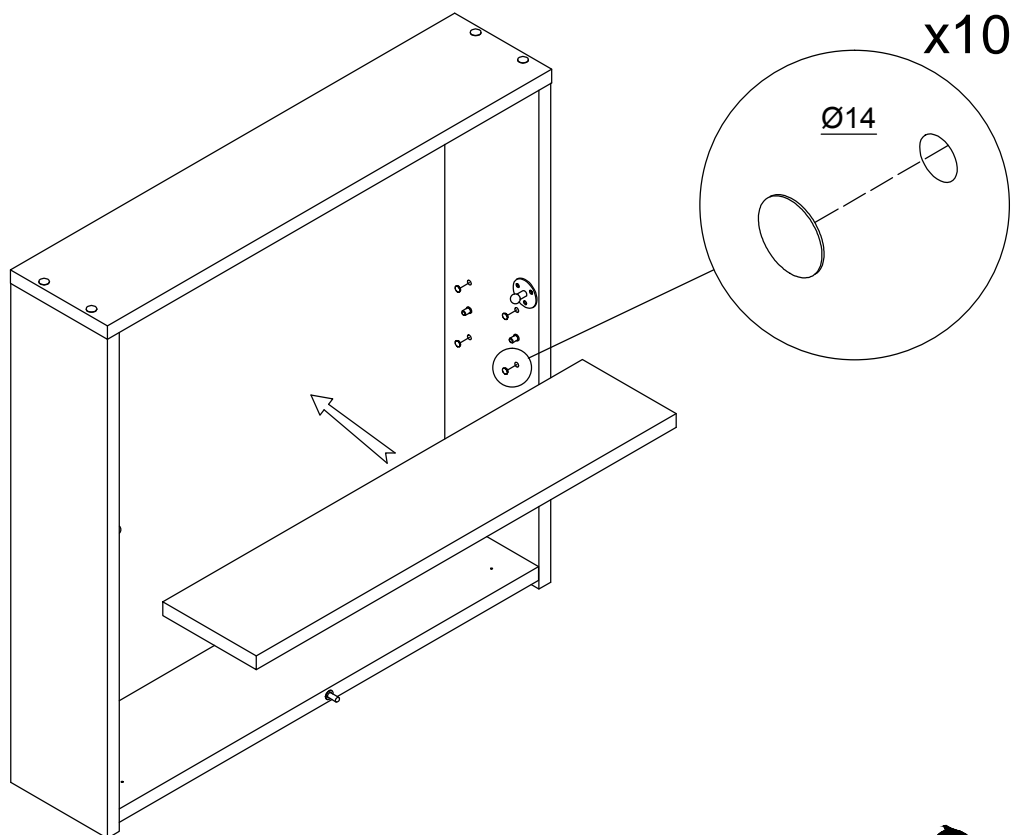
5



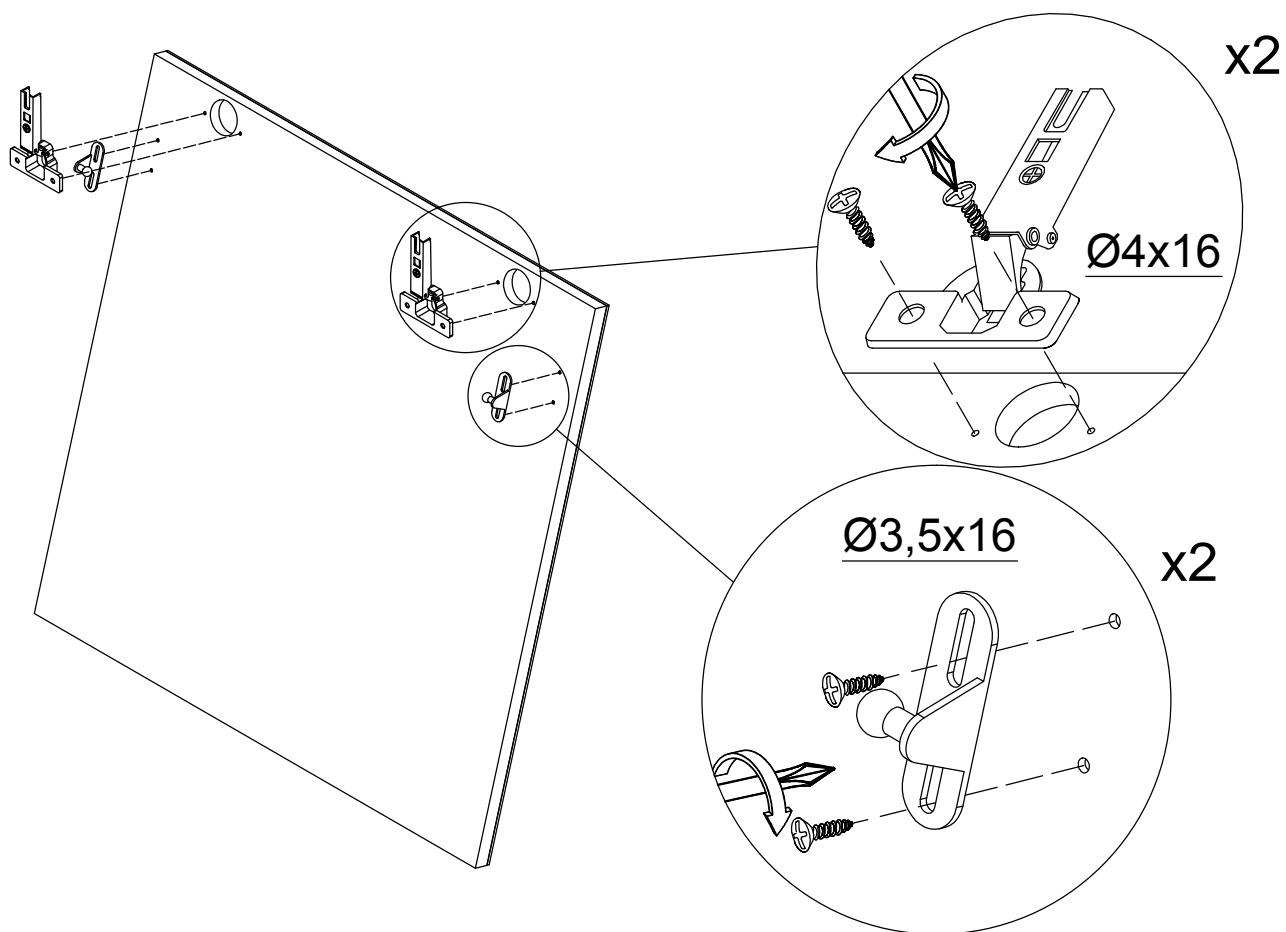
6



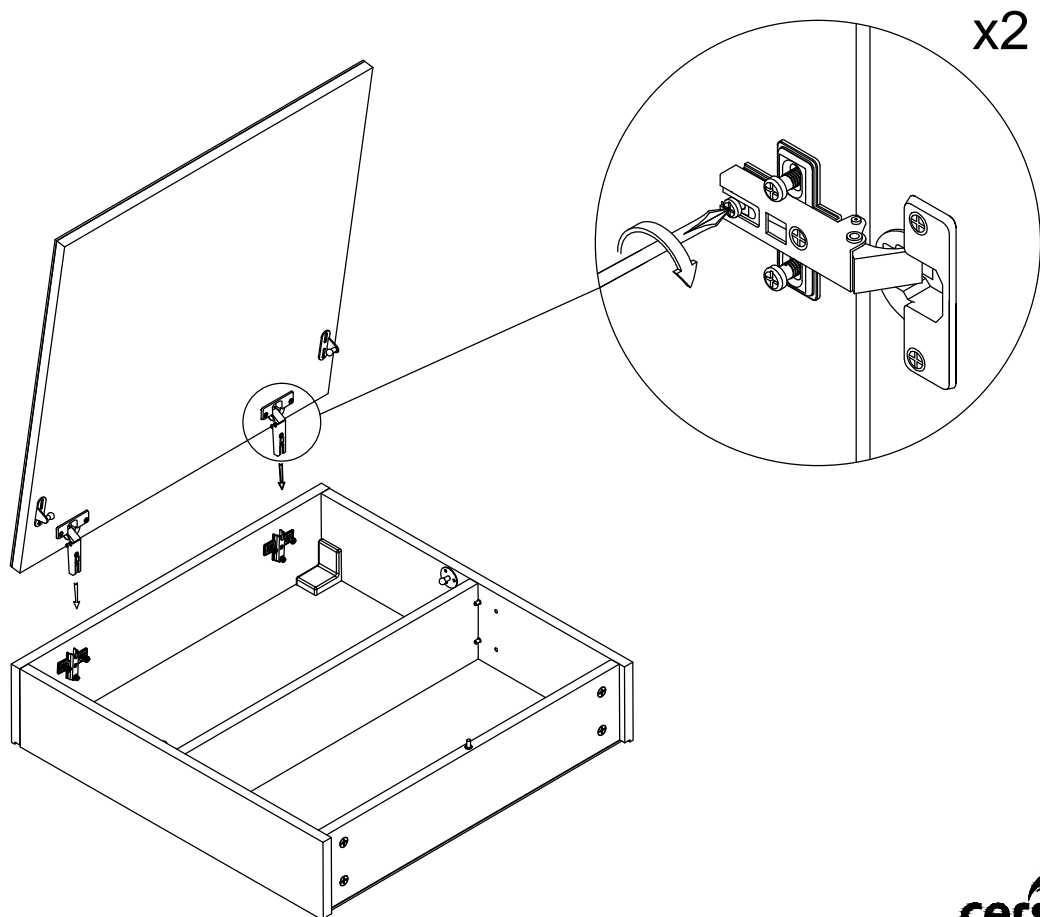
7



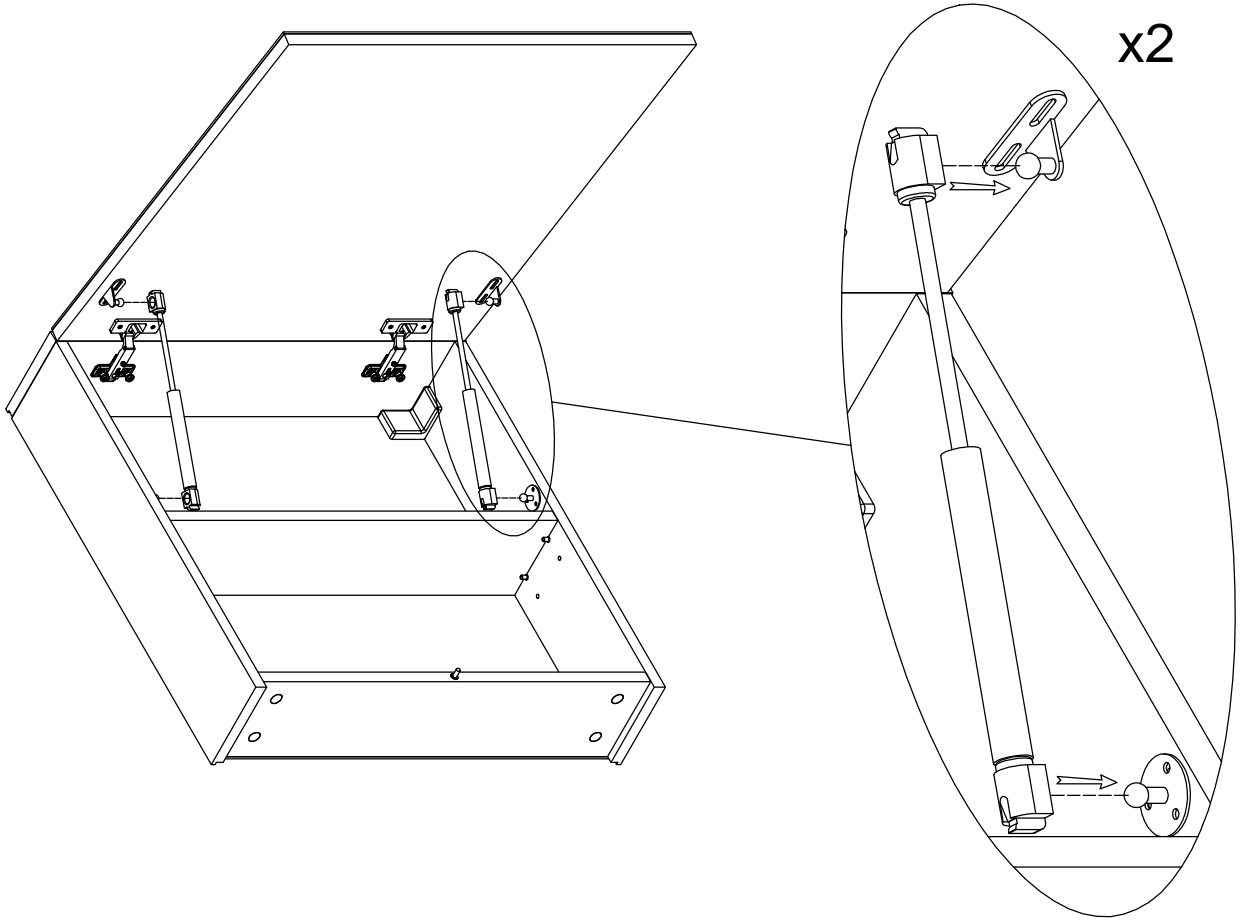
8



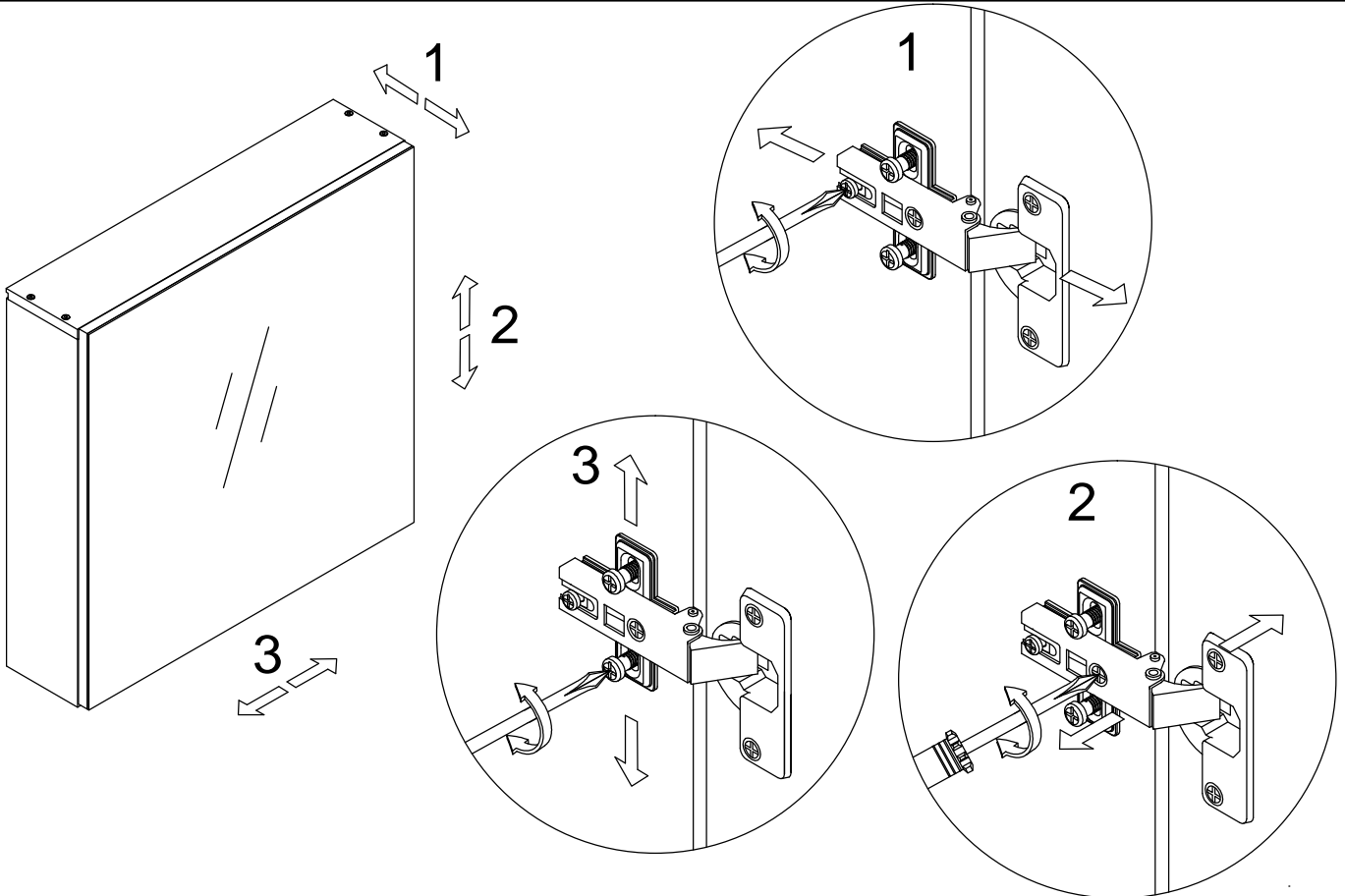
9



10

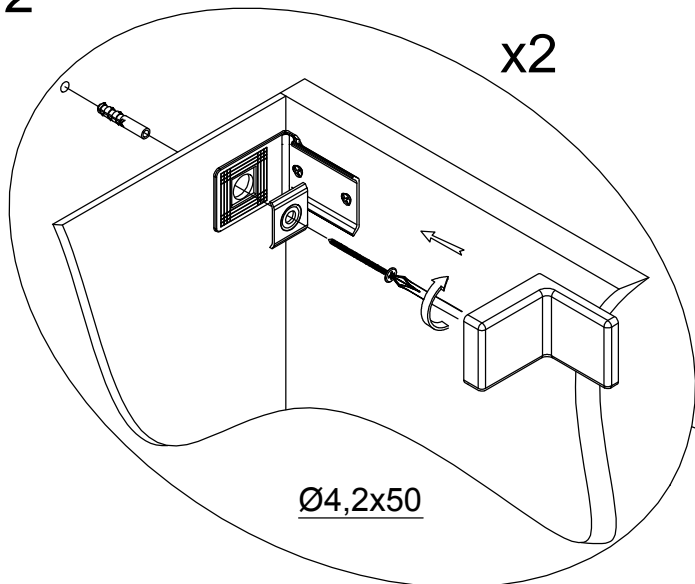


11

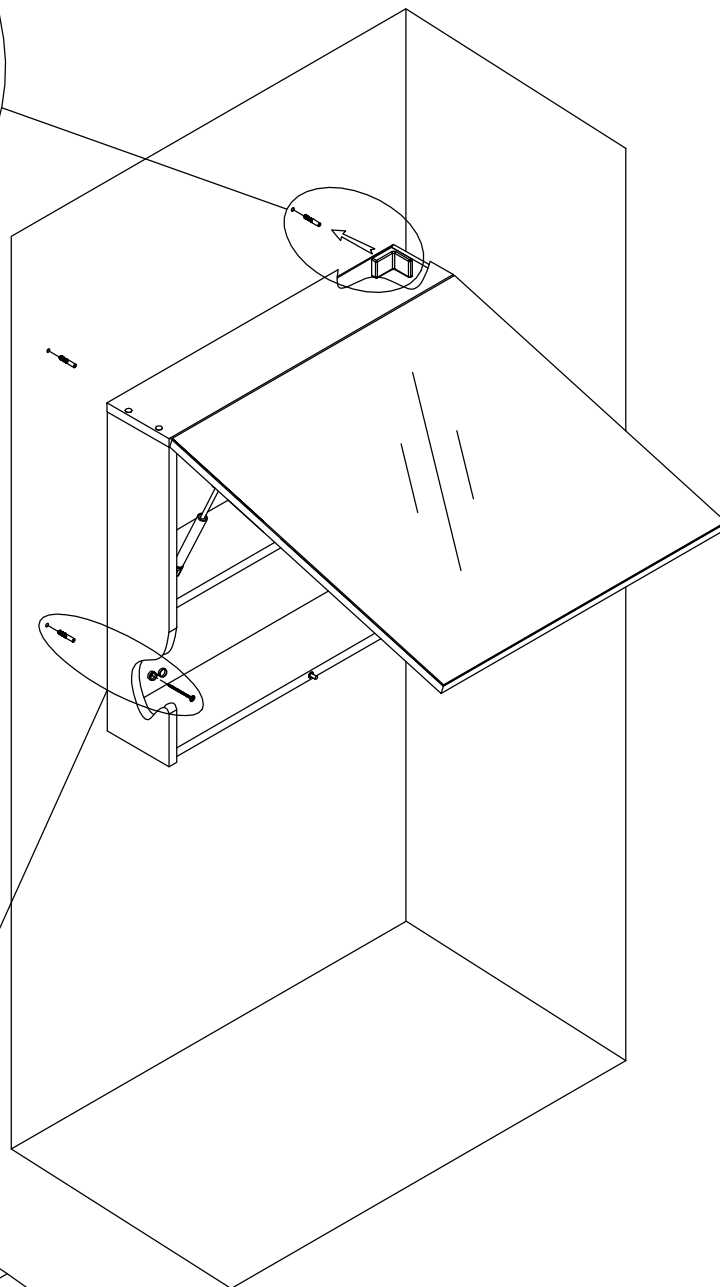


12

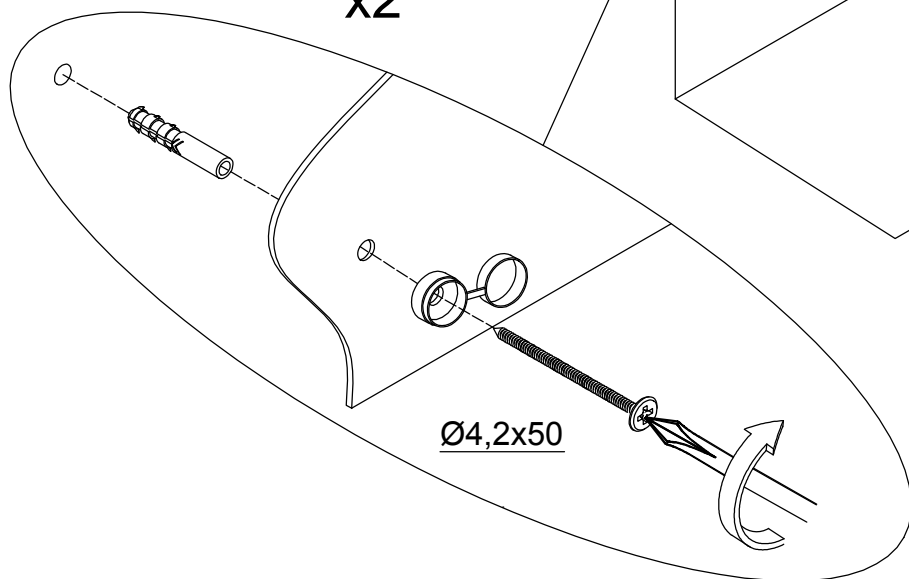
x2



$\text{Ø}4,2 \times 50$



x2



$\text{Ø}4,2 \times 50$