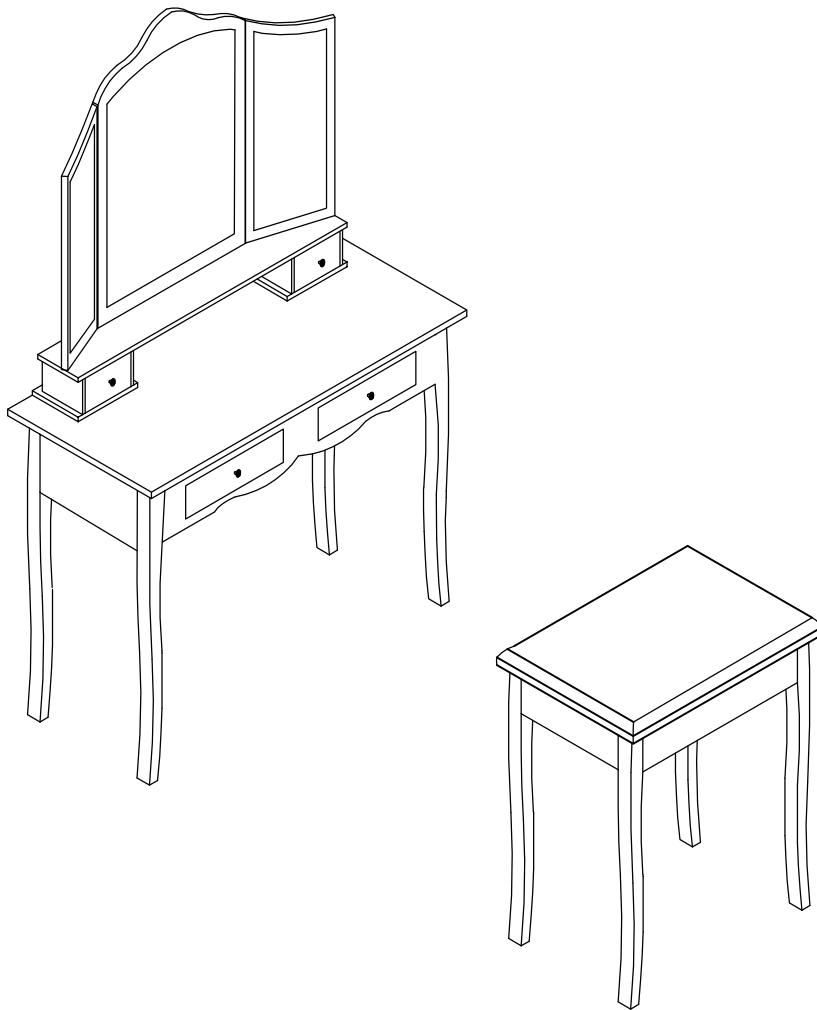
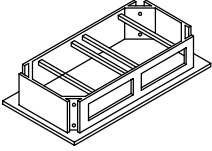

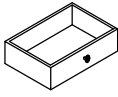
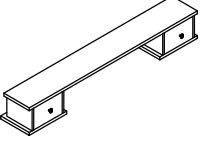
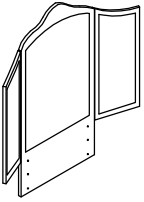

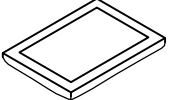
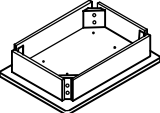






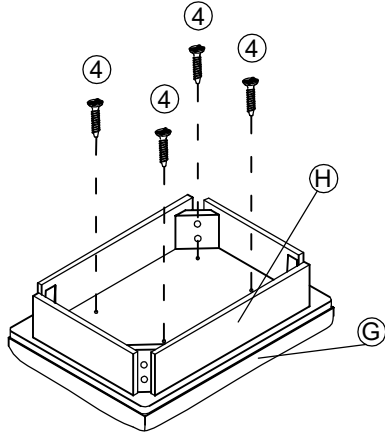
ASSEMBLY INSTRUCTIONS




<p>(A)</p>  <p>× 1</p>	<p>(B)</p>  <p>× 4</p>	<p>(C)</p>  <p>× 2</p>	<p>(D)</p>  <p>× 1</p>
<p>(E)</p>  <p>× 1</p>	<p>(F)</p>  <p>× 4</p>	<p>(G)</p>  <p>× 1</p>	<p>(H)</p>  <p>× 1</p>
<p>①</p>  <p>× 16</p>	<p>②</p>  <p>M4*35mm</p> <p>× 2</p>	<p>③</p>  <p>M4*25mm</p> <p>× 4</p>	<p>④</p>  <p>M4*20mm</p> <p>× 4</p>

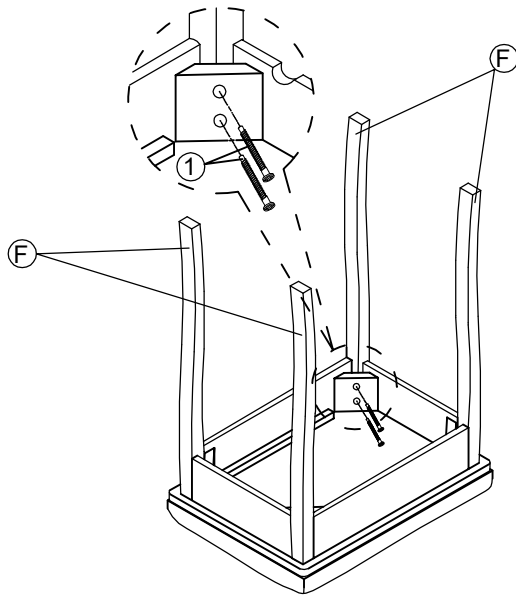
3 ASSEMBLY STEPS


STEP 1



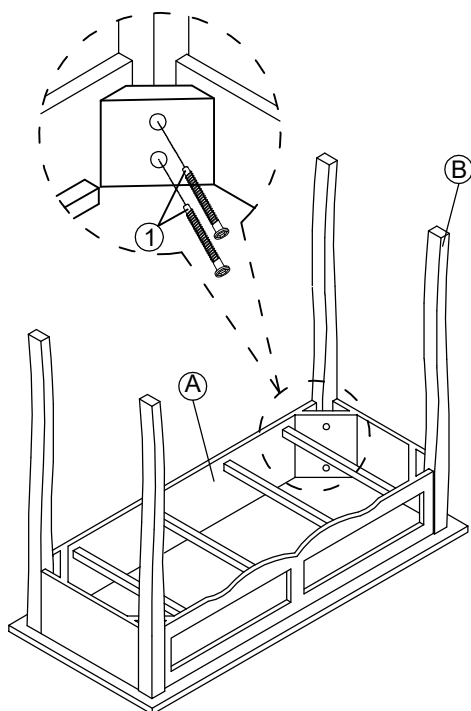
④	 M4*20mm	×4
---	--	----


STEP 2



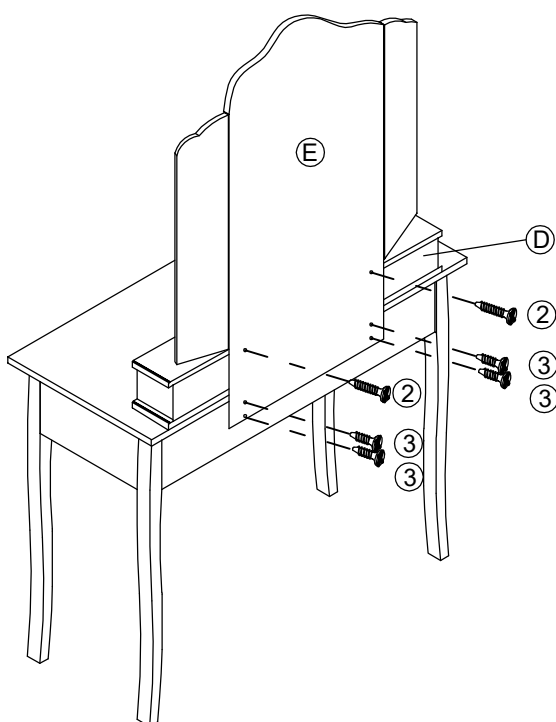
①		×8
---	---	----


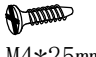
STEP 3



①		×8
---	---	----

STEP 4



②	 M4*35mm	×2
③	 M4*25mm	×4

STEP 5

