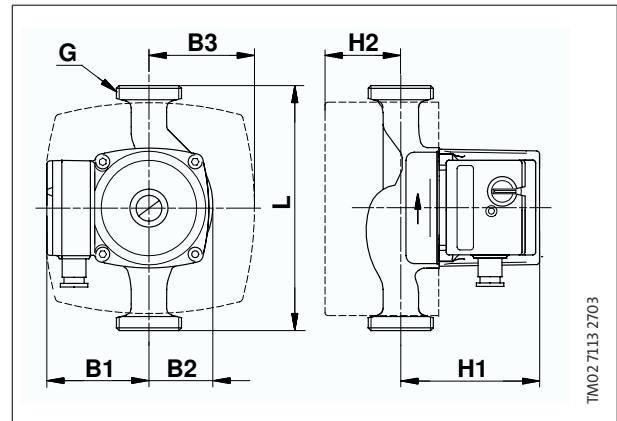
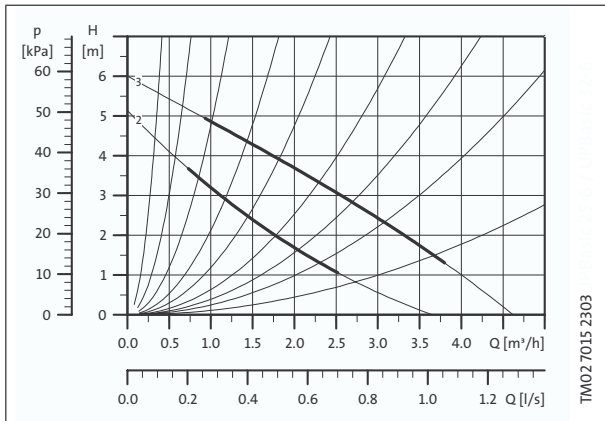


UPBasic 25-6 / UPBasic 32-6 180

1 x 230 V, 50 Hz



Speed	P_1 [W]	I_n [A]
3	90	0.40
2	65	0.30

Connections: $\frac{3}{4}$ ", 1" or 1½" unions and valves.
 System pressure: Max. 10 bar.
 Liquid temperature: +2°C to +110°C (TF110).

Pump type	Dimensions [mm]							Weights [kgs]		Ship. vol [m³]
	L	H1	H2	B1	B2	B3	G	Net	Gross	
UPBasic 25-6	180	102	57	75	51	77	1½	2.6	2.8	0.004
UPBasic 32-6	180	102	57	75	51	77	2	2.6	2.8	0.004