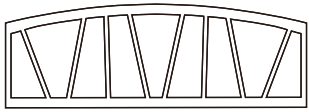


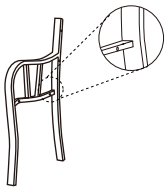
A x1 BUC



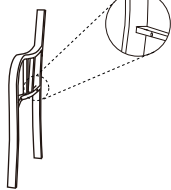
B x1 BUC



C x1 BUC



D x1 BUC



E x4 BUC



M6*70

F x4 BUC



M6*50

G x8 BUC



M6

H x16 BUC



Plastic

I x8 BUC



M6

J x8 BUC



M6

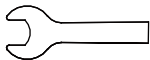
K x8 BUC



L x1 BUC

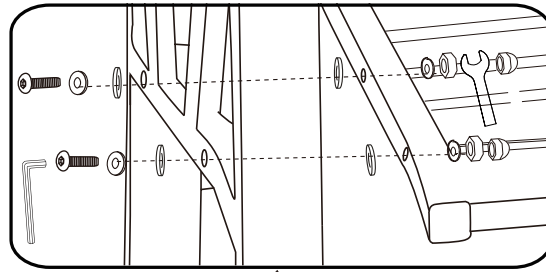


M x1 BUC

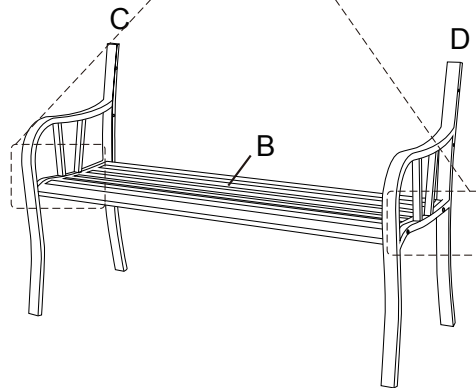
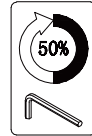


1

L F G H H I J M K



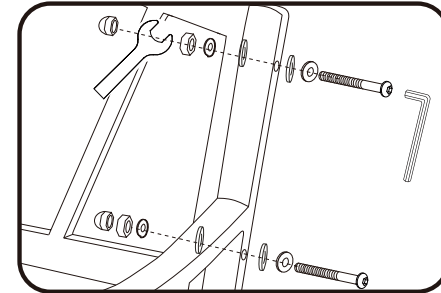
X2



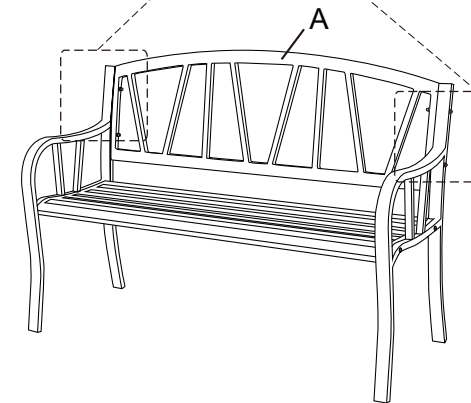
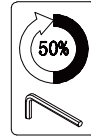
IN ACEASTA ETAPA NU STRANGETI SURUBURILE

2

K M J I H H G E L

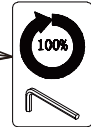
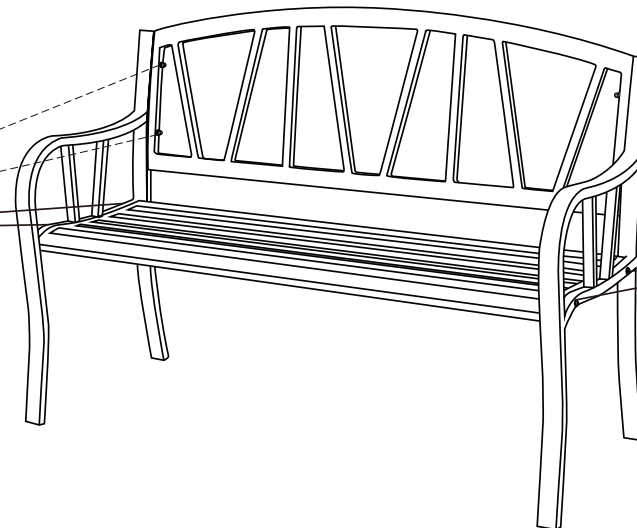
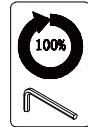


X2



IN ACEASTA ETAPA NU STRANGETI SURUBURILE

3



After adjusting the horizontal, tighten the screws until all of them are in right positions.