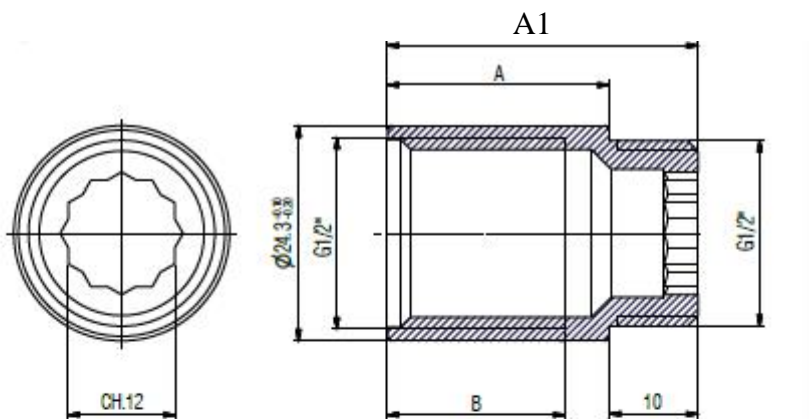


PRODUSE INSTALATII APA-GAZ, TEHNICO-SANITARE

Desene tehnice si dimensiuni PRELUNGITOARE ALAMA INBUS



Cod.	A (mm)	A1 (mm)	B (mm)
PR 5010 L	10	20	7
PR 5015 L	15	25	12
PR 5020 L	20	30	15
PR 5025 L	25	35	20
PR 5030 L	30	40	25
PR 5040 L	40	50	22
PR 5050 L	50	60	22
PR 5060 L	60	70	22
PR 5080 L	80	90	22
PR 50100 L	100	110	22



Marking: MADE IN ITALY 1/2" x A
 A= see measurements table

Materials: Brass UNI EN 12164 / 12168 CW 617 N
 Hardness: in according to DIN 3523 standards
 Heat treatment: Normalising
 Chrome plating: 248 h salt spray test

Material: alama UNI EN 12164/12168 CW 617 N

Duritatea in accord cu standardul DIN 3523

Tratare termica controlata.

Presiune de lucru: 10 bari .Temperatura de lucru 80C si maxima 100C.

. CLUJ-NAPOCA

TEL 0264-433.098 Fax: 0264-437.889, J12/2621/1994, Str. Rosiori nr. 3, Cluj-Napoca
 CUI RO 6264842 CONT RO54RNCB0106026582500001 BCR CLUJ-NAPOCA

WWW.CRIMEL.RO , email: info@crimel.ro