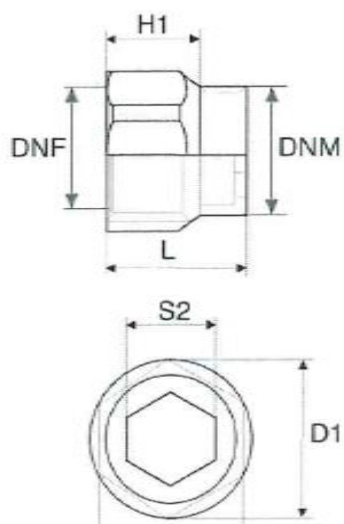


**PRODUSE INSTALATII APA-GAZ, TEHNICO-SANITARE**

Desene tehnice si dimensiuni Prelungitor cromat, FI-FE, 1/2" , 3/4" ,



sku	name	DN	H1- mm	L- mm	D1- mm	S1- mm	S2- mm	Masa gr
2003695	Prelungitor cromat, FI-FE, 10 mm x 1/2"	15mm-1/2"	10	22.5	25	24	12	28
2003696	Prelungitor cromat, FI-FE, 20 mm x 1/2"	15mm-1/2"	20	30.5	25	24	12	38
2003697	Prelungitor cromat, FI-FE, 30 mm x 1/2"	15mm-1/2"	30	40.5	25	24	12	53
2003698	Prelungitor cromat, FI-FE, 40 mm x 1/2"	15mm-1/2"	40	49	25	24	12	62
2003699	Prelungitor cromat, FI-FE, 50 mm x 1/2"	15mm-1/2"	50	60	25	24	12	69
2015817	Prelungitor cromat, 3/4" x 10 mm	20mm-3/4"	10	22.5	32	30	16	38
2015818	Prelungitor cromat, 3/4" x 20 mm	20mm-3/4"	20	30.5	32	30	16	56
2015819	Prelungitor cromat, 3/4" x 30 mm	20mm-3/4"	30	41	30	30	14	71
2015830	Prelungitor cromat, 3/4" x 40 mm	20mm-3/4"	40	50	30	30	15	90
2015831	Prelungitor cromat, 3/4" x 50 mm	20mm-3/4"	50	60	30	30	15	109

Material: otel galvanizat ;FILET ISO 228 /1 (DIN259)

Presiune de lucru: 10 bari la temperature de 95C

. CLUJ-NAPOCA

TEL 0264-433.098 Fax: 0264-437.889, J12/2621/1994, Str. Rosiori nr. 3, Cluj-Napoca  
 CUI RO 6264842 CONT RO54RNCB0106026582500001 BCR CLUJ-NAPOCA

[WWW.CRIMEL.RO](http://WWW.CRIMEL.RO) , email: [info@crimel.ro](mailto:info@crimel.ro)