
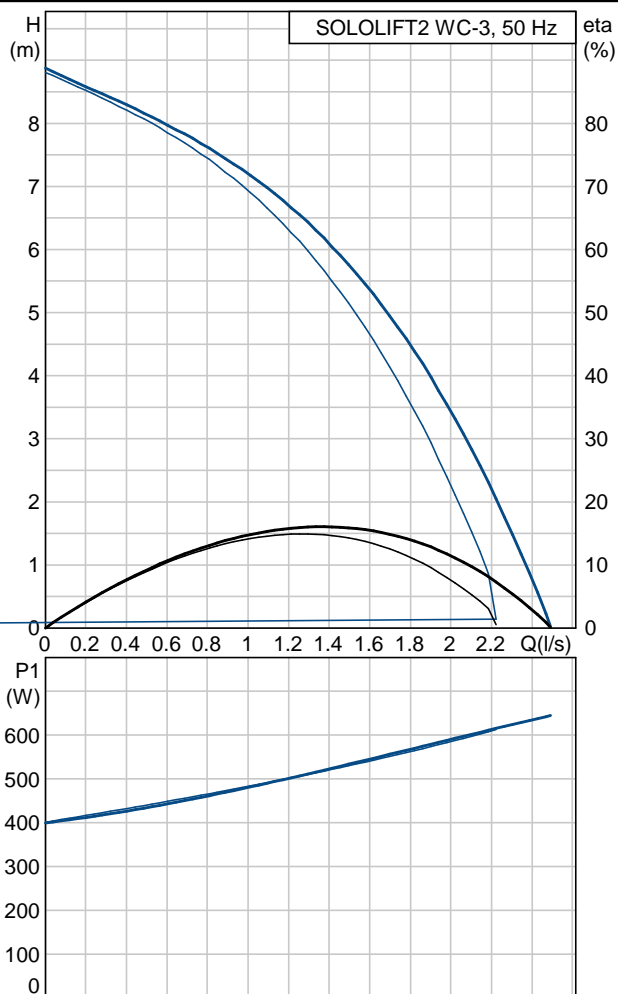


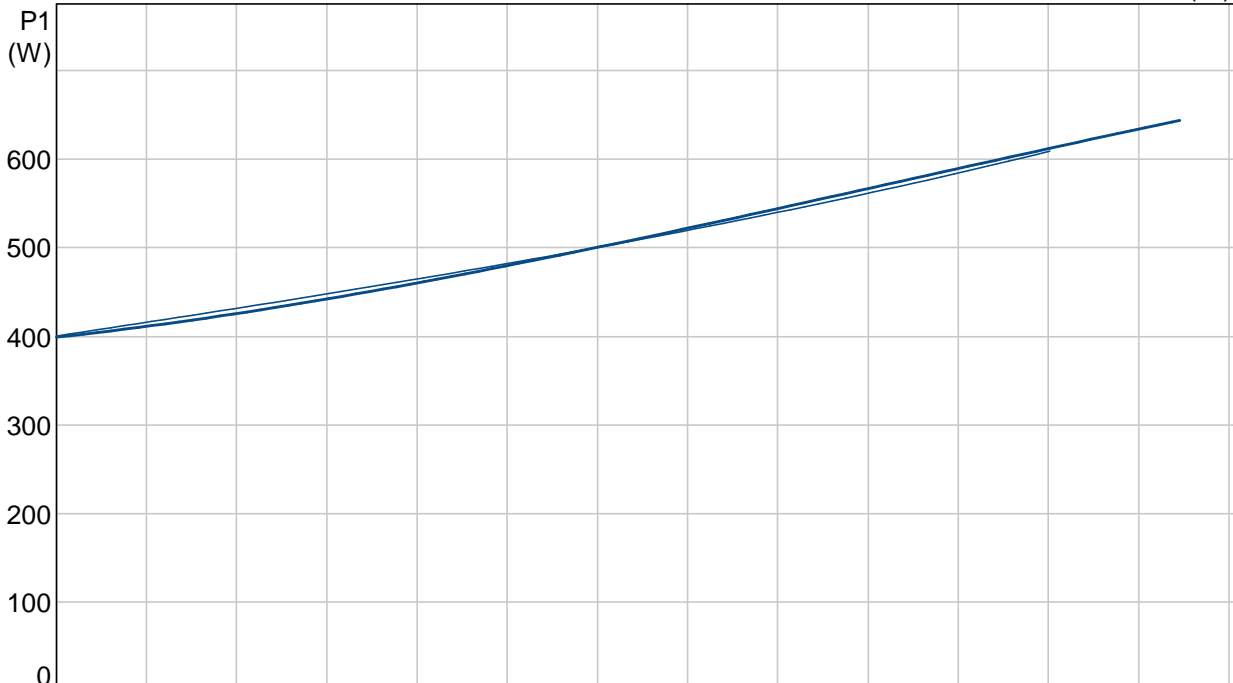
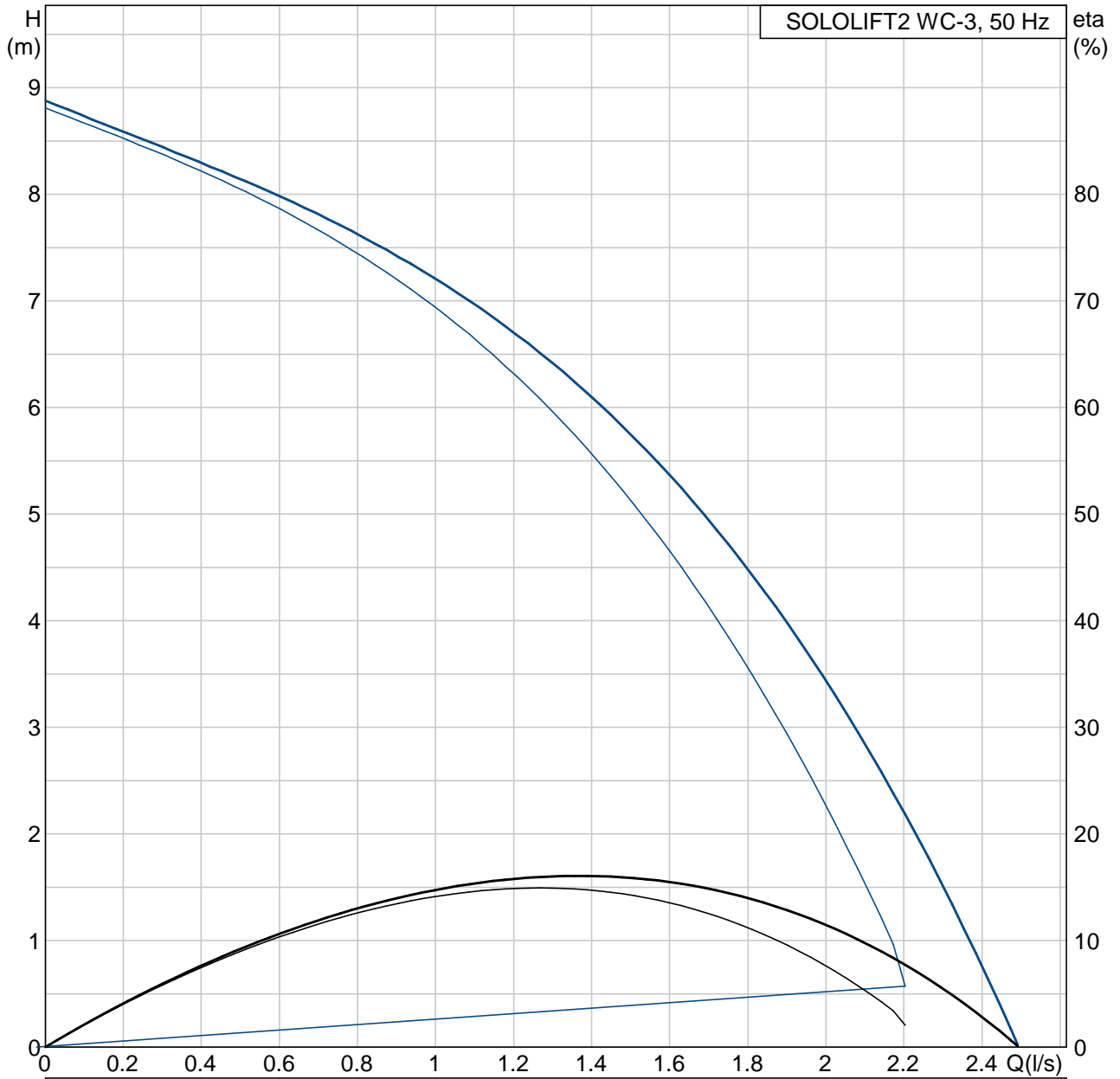
Pozitie	Cant.	Descriere	Preț unitar
	1	<p data-bbox="285 163 488 184"><b>SOLOLIFT2 WC-3</b></p>  <p data-bbox="672 590 1200 611"><b>Notă! Poza de produs poate diferi de produsul actual</b></p> <p data-bbox="285 646 526 667">Nr. Produs: 97775315</p> <p data-bbox="285 701 1292 779">Sololift2 WC-3 is a small, compact automatic lifting station suitable for pumping of wastewater off places in private dwellings where wastewater cannot be led directly to the sewer by means of a natural downward slope.</p> <p data-bbox="285 812 1263 890">Sololift2 WC-3 is suitable for pumping wastewater from a toilet containing toilet paper and faeces with additional connections on the lid and to the sides of the tank for e.g. washbasin, shower or bidet.</p> <p data-bbox="285 924 1224 974">The pumping of liquids containing other material may cause faults and limit the scope of guarantee.</p> <p data-bbox="285 1008 777 1029"><b>Sololift2 WC-3 is typically used to dewater:</b></p> <ul data-bbox="285 1041 1252 1173" style="list-style-type: none"> <li>• toilet, washbasin, shower and bidet in basements below sewer level, in connection with the renovation or modernisation of existing buildings, where the location may be remote from the main soil pipe so that a natural slope cannot be established. Extremely low switching levels for lowest construction heights, advantageously in case of connection of a shower receptor.</li> </ul> <p data-bbox="285 1207 748 1228">The compact lifting station is equipped with</p> <ul data-bbox="285 1234 1243 1570" style="list-style-type: none"> <li>- Cable with or without plug (see technical data)</li> <li>- Horizontal or vertical fastening possibility of discharge hose connector with several adaptors for pipes with O22-40mm</li> <li>-Integrated non return valve <ul data-bbox="285 1350 1235 1570" style="list-style-type: none"> <li>- Dry and high performance motor unit incl. thermal protection, pressure switch and controller</li> <li>- DN100 toilet connection hose</li> <li>- Two flexible connectors for inlet (adjustable in height) of pipes O36 or 40</li> <li>- Slot for an alarm board with buzzer (accessory)</li> <li>- Manual anti clogging function and separate drain connection for service</li> <li>- Venting valve with overflow protection</li> <li>- Uplift fixation clips</li> </ul> </li> </ul> <p data-bbox="285 1604 1255 1654">Design according to EN12050-3 and production inspection by external institute with unique features focused on quick installation, long lasting operation and easy clean service.</p> <p data-bbox="285 1715 370 1736"><b>Liquid:</b></p> <p data-bbox="285 1745 704 1766">Temperatura maximă a lichidului: 50 °C</p> <p data-bbox="285 1774 776 1795">Densitate: 1000 kg/m3</p> <p data-bbox="285 1803 399 1824">Technical:</p> <p data-bbox="285 1833 683 1854">Aprobări pe etichetă: CE</p> <p data-bbox="285 1862 391 1883">Instalație:</p> <p data-bbox="285 1892 777 1913">Număr de conductori: 3X0,75MM2</p> <p data-bbox="285 1921 448 1942">Electrical data:</p> <p data-bbox="285 1950 737 1971">Puterea de intarare - P1: 0.62 kW</p> <p data-bbox="285 1980 712 2001">Frecvența rețelei electrice: 50 Hz</p> <p data-bbox="285 2009 797 2030">Tensiune nominală: 1 x 220-240 V</p> <p data-bbox="285 2039 683 2060">Curent nominal: 3 A</p> <p data-bbox="285 2068 699 2089">Cos fi - factor de putere: 0,92</p>	Preț la cerere

<b>Poziție</b>	<b>Cant.</b>	<b>Descriere</b>	<b>Preț unitar</b>
		Turație nominală: 2800 rpm Grad de protecție (IEC 34-5): 24 Clasă de izolare (IEC 85): F Lungimea cablului: 1.2 m Tip cablu: H05VV-F Tip de conectare cablu: TYPE F (SCHUKO) Others: Greutate netă: 7.3 kg Greutate brută: 9.3 kg	

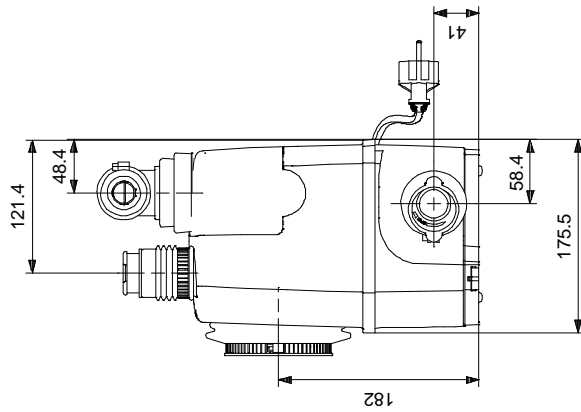
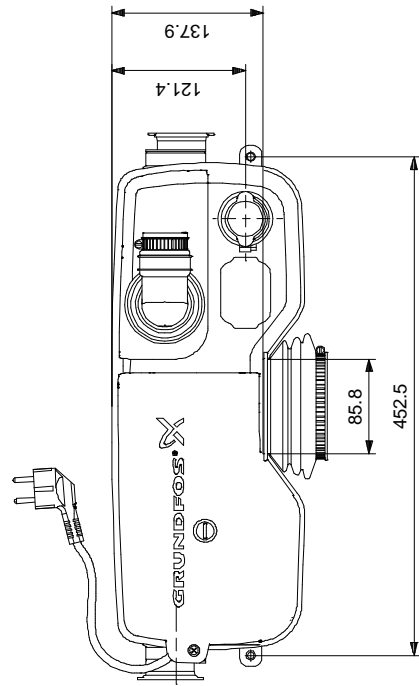
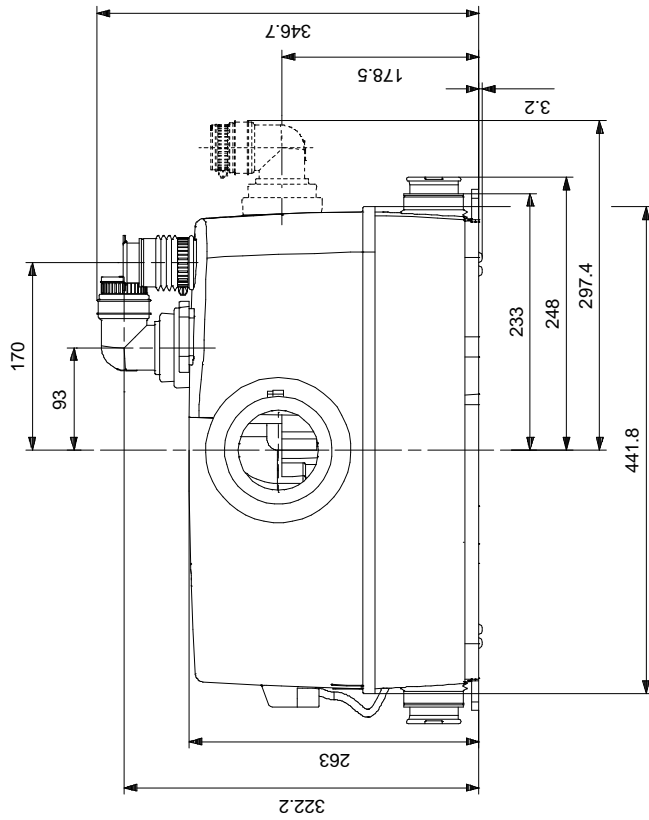
Descriere	Valori și tipuri
Nume produs:	SOLOLIFT2 WC-3
Nr. produs:	97775315
Numărul EAN:	5710624187241
<b>Technical:</b>	
Înălțime de pompare max.:	8.5 m
Aprobări pe etichetă:	CE
<b>Instalație:</b>	
Număr de conductori:	3X0,75MM2
<b>Liquid:</b>	
Temperatura maximă a lichidului:	50 °C
Densitate:	1000 kg/m3
<b>Electrical data:</b>	
Puterea de intarare - P1:	0.62 kW
Frecvența rețelei electrice:	50 Hz
Tensiune nominală:	1 x 220-240 V
Curent nominal:	3 A
Cos fi - factor de putere	0,92
Turație nominală:	2800 rpm
Grad de protecție (IEC 34-5):	24
Clasă de izolare (IEC 85):	F
Protecție termică:	THERMIK S06-150-05
Lungimea cablului:	1.2 m
Tip cablu:	H05VV-F
Tip de conectare cablu:	TYPE F (SCHUKO)
<b>Others:</b>	
Greutate netă:	7.3 kg
Greutate brută:	9.3 kg
Gamă produs:	Internațional



# 97775315 SOLOLIFT2 WC-3 50 Hz



**97775315 SOLOLIFT2 WC-3 50 Hz**



Note! All units are in [mm] unless others are stated.  
 Disclaimer: This simplified dimensional drawing does not show all details.

97775315 SOLOLIFT2 WC-3 50 Hz

